

# 2025 Ridge Ranch Edition

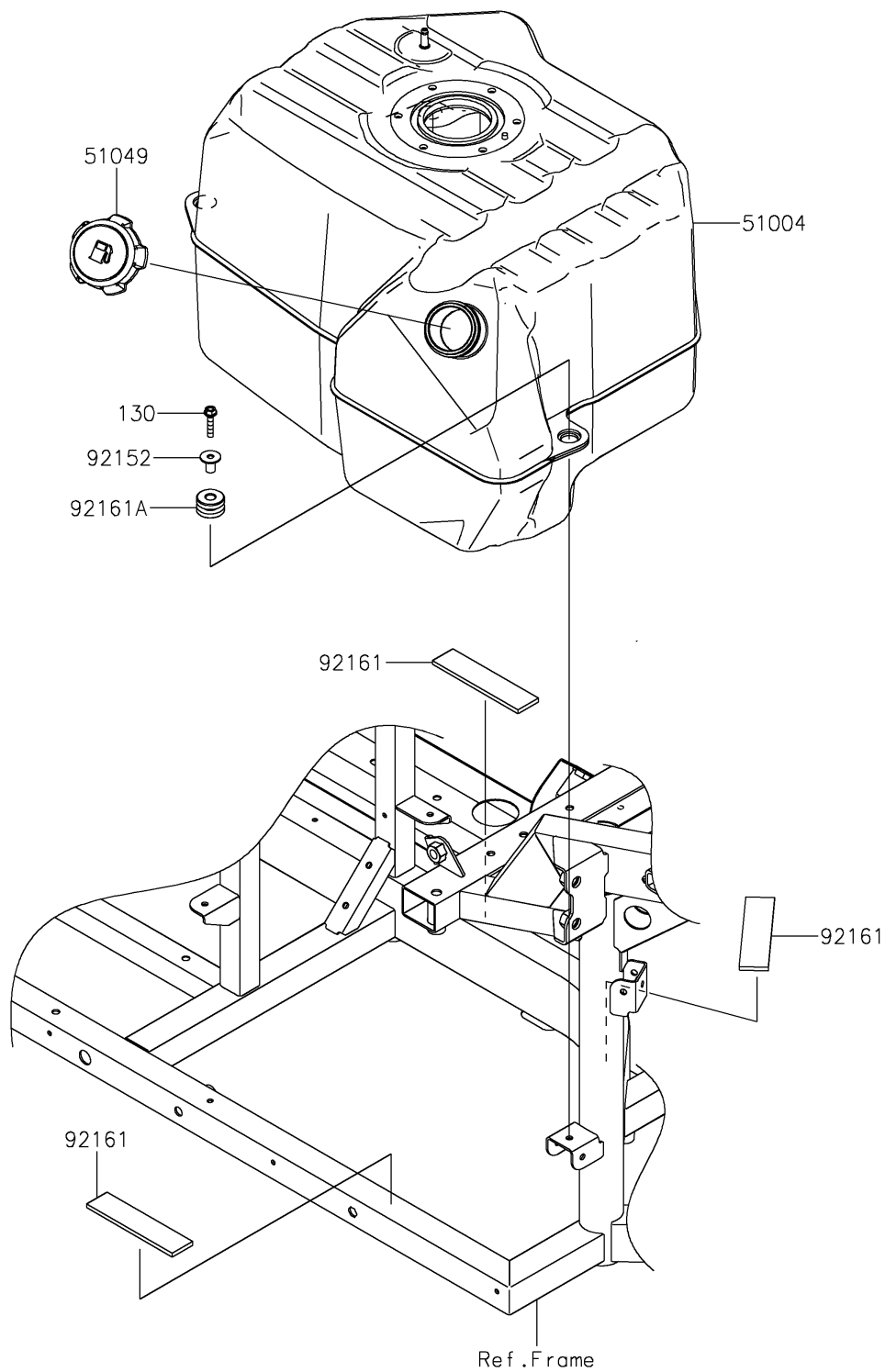
## PARTS DIAGRAM

### Fuel Tank(CA)

**Kawasaki**

Let the Good Times Roll®

F2410A



# 2025 Ridge Ranch Edition

## PARTS LIST Fuel Tank(CA)

ITEM NAME	PART NUMBER	QUANTITY
-----------	-------------	----------

---