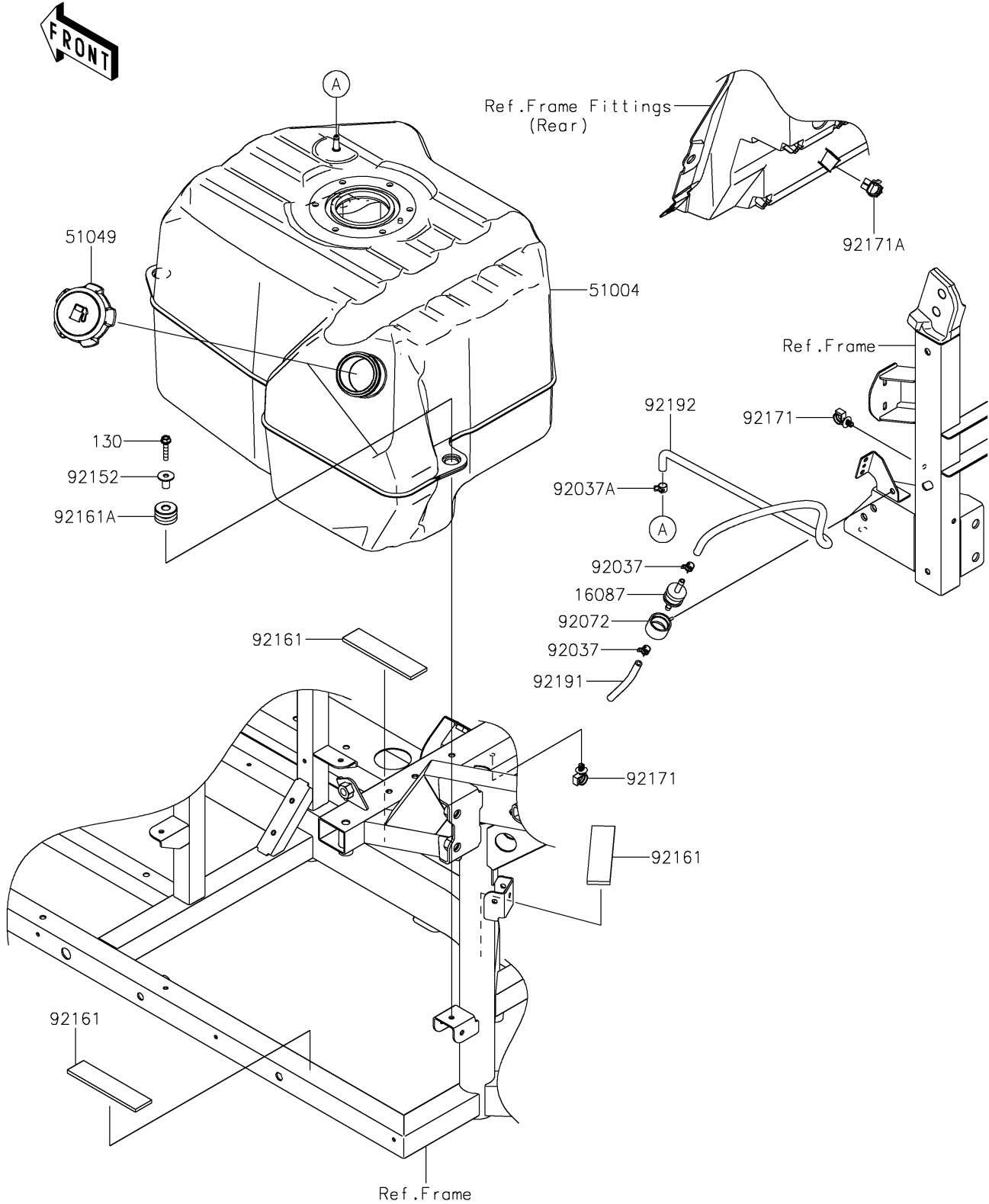


# 2025 Ridge Ranch Edition

## PARTS DIAGRAM

### Fuel Tank(CN,US)

F2410



# 2025 Ridge Ranch Edition

## PARTS LIST

Fuel Tank(CN,US)

**ITEM NAME**

**PART NUMBER**

**QUANTITY**

---