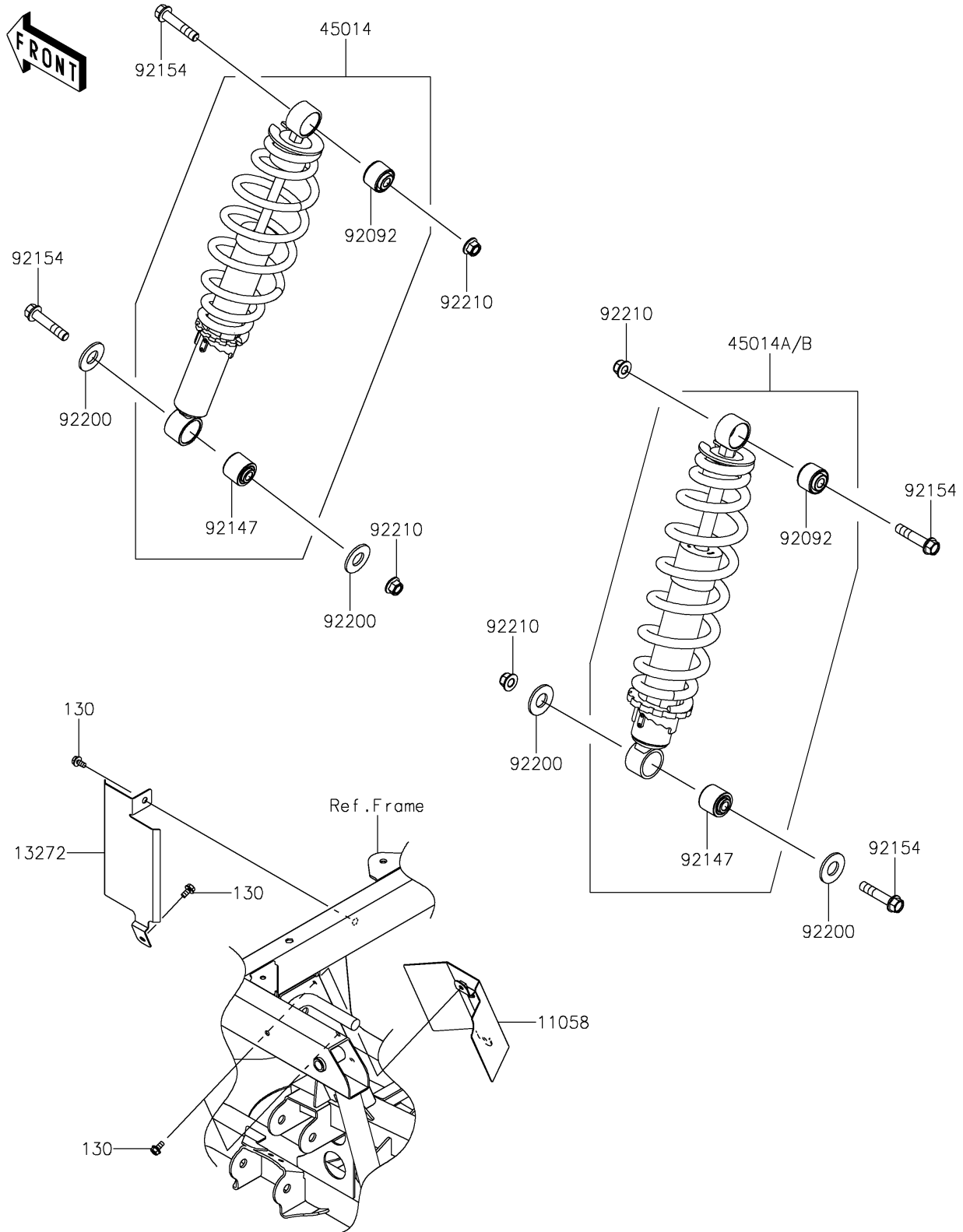


2025 Ridge Ranch Edition

PARTS DIAGRAM

Shock Absorber(s)

F2280



2025 Ridge Ranch Edition

PARTS LIST

Shock Absorber(s)

ITEM NAME	PART NUMBER	QUANTITY
-----------	-------------	----------
