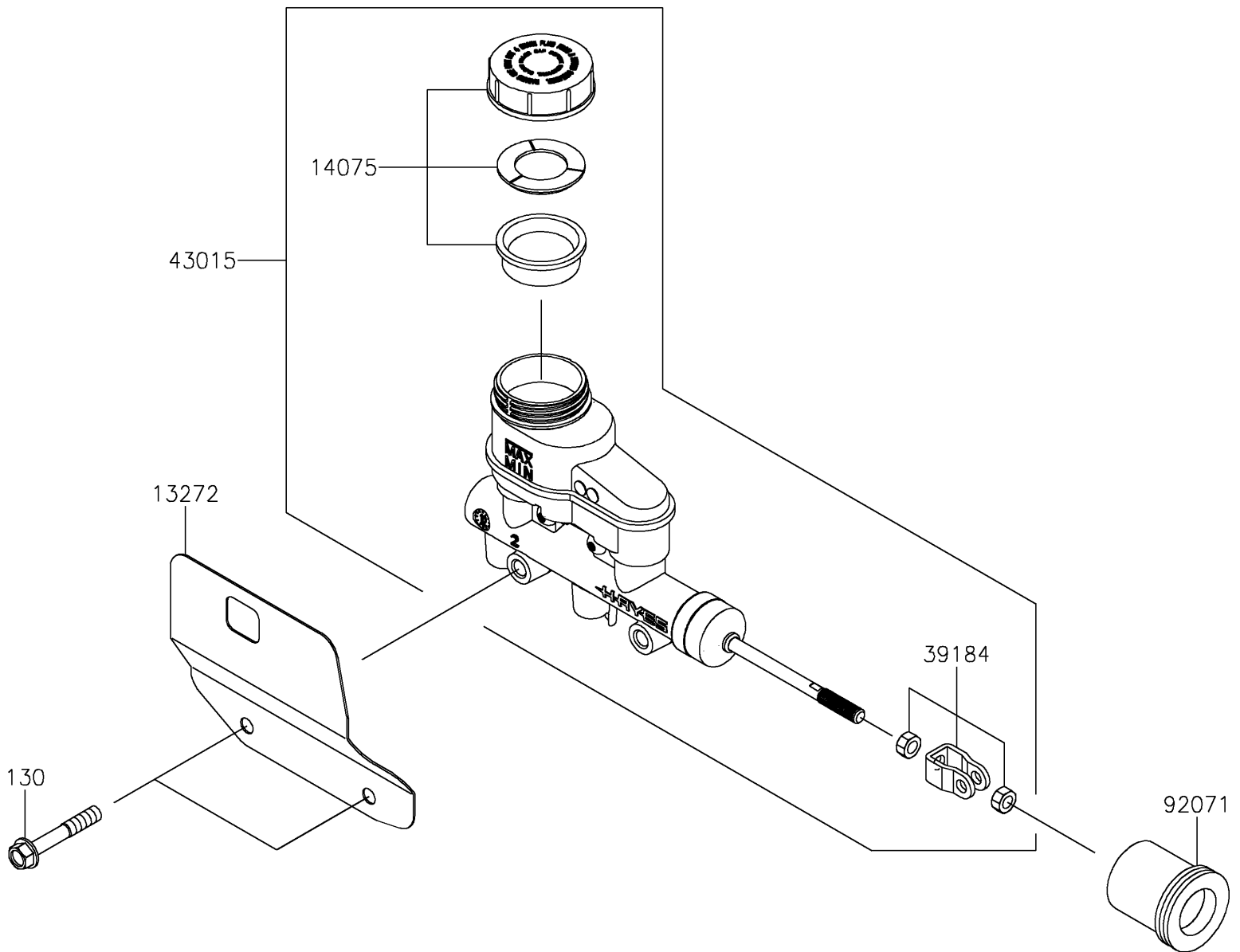


2025 Ridge Ranch Edition

PARTS DIAGRAM

Master Cylinder

F2261



2025 Ridge Ranch Edition

PARTS LIST

Master Cylinder

ITEM NAME

PART NUMBER

QUANTITY
