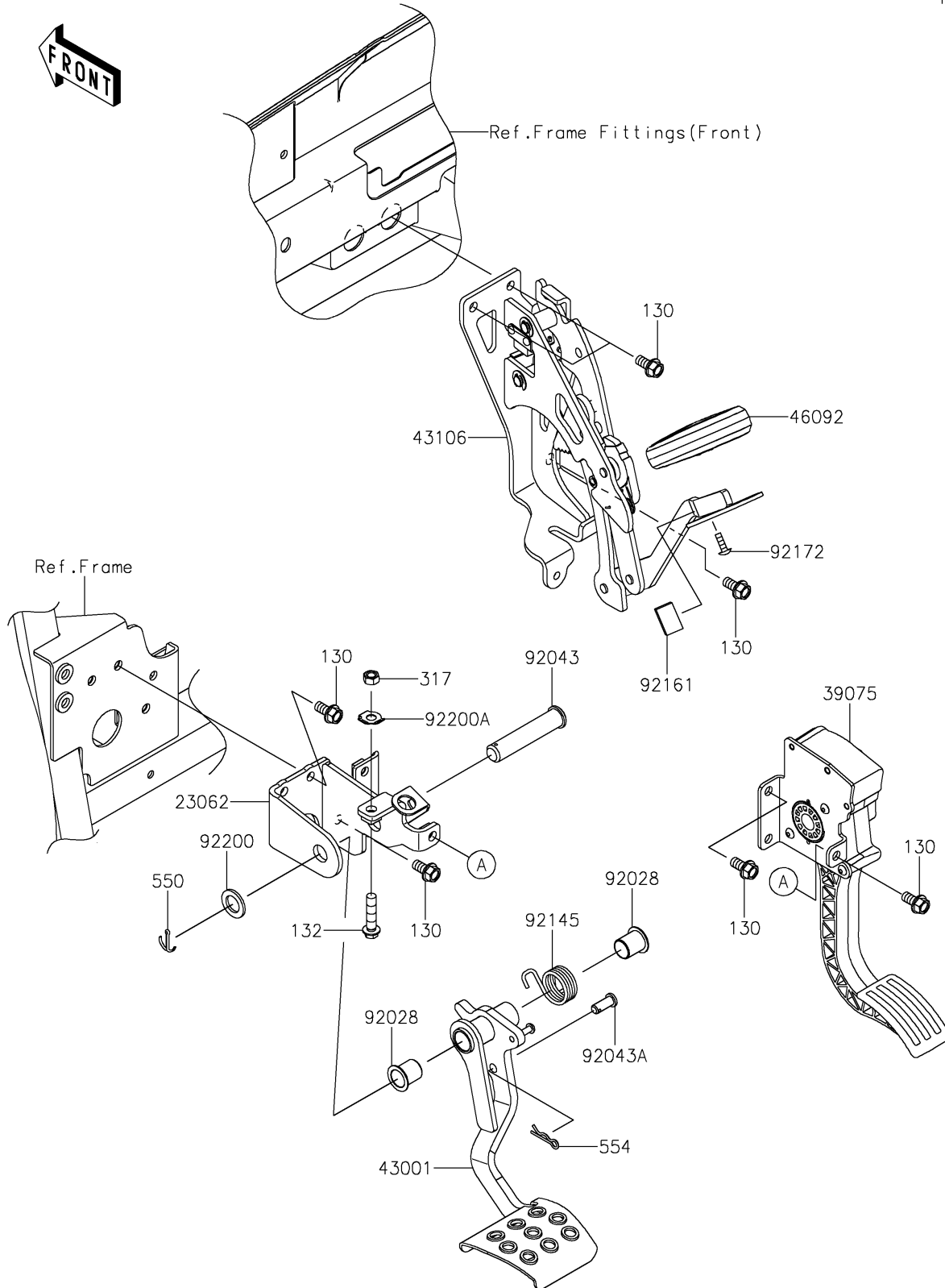


2025 Ridge Ranch Edition

PARTS DIAGRAM

Brake Pedal/Throttle Lever

F2260



2025 Ridge Ranch Edition

PARTS LIST

Brake Pedal/Throttle Lever

ITEM NAME	PART NUMBER	QUANTITY
-----------	-------------	----------
