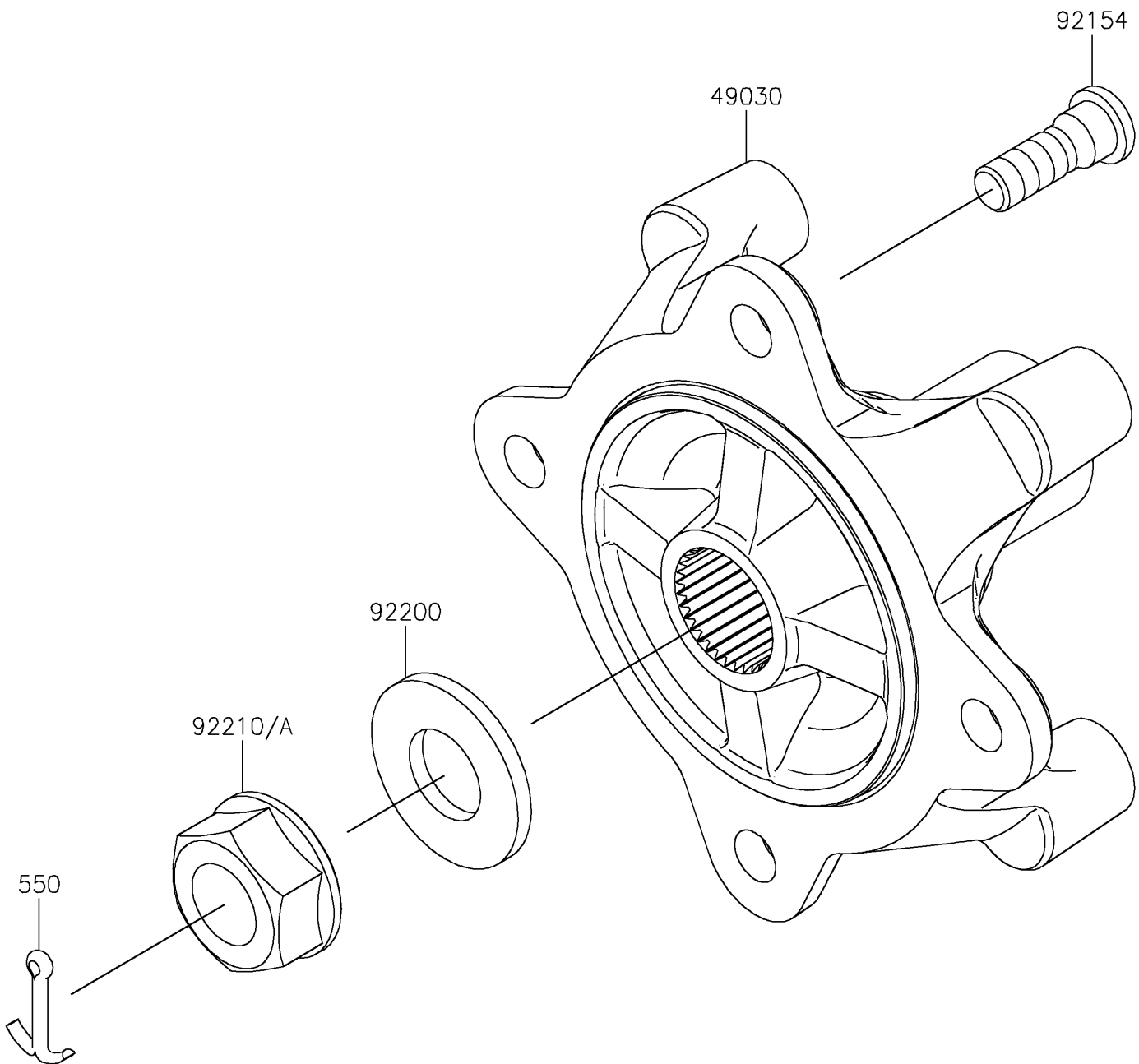


2025 Ridge Ranch Edition

PARTS DIAGRAM

Rear Hubs/Brakes

F2240



2025 Ridge Ranch Edition

PARTS LIST

Rear Hubs/Brakes

ITEM NAME

PART NUMBER

QUANTITY
