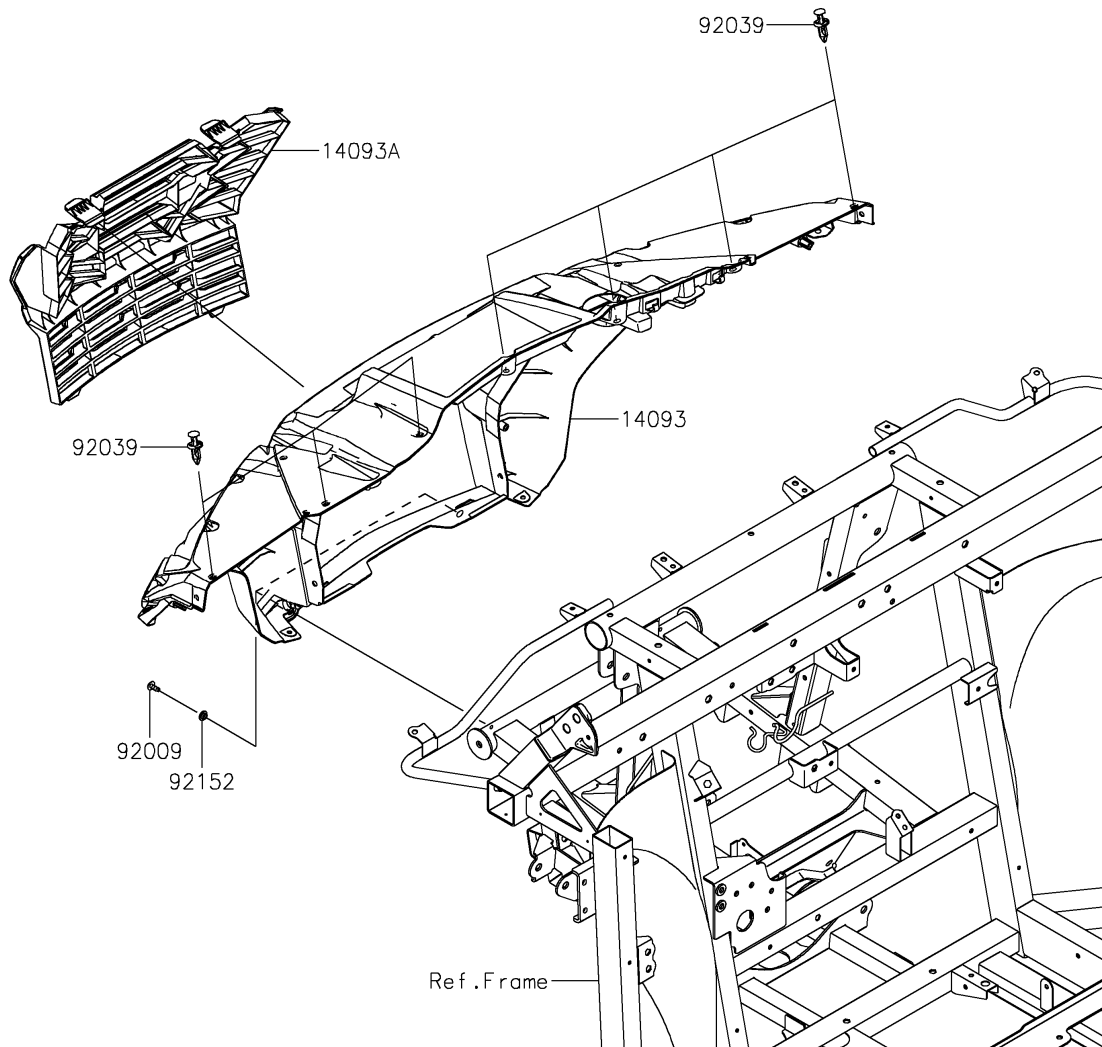
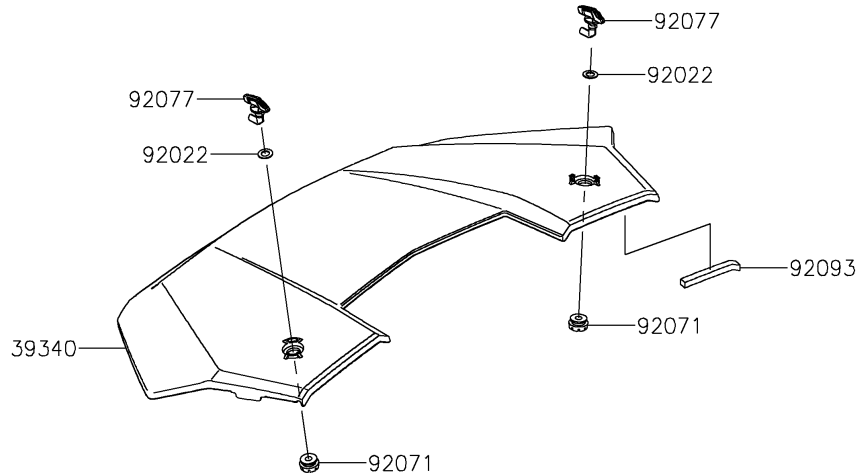


2025 Ridge Ranch Edition

PARTS DIAGRAM

Front Fender(s)

F2171



2025 Ridge Ranch Edition

PARTS LIST

Front Fender(s)

ITEM NAME

PART NUMBER

QUANTITY
