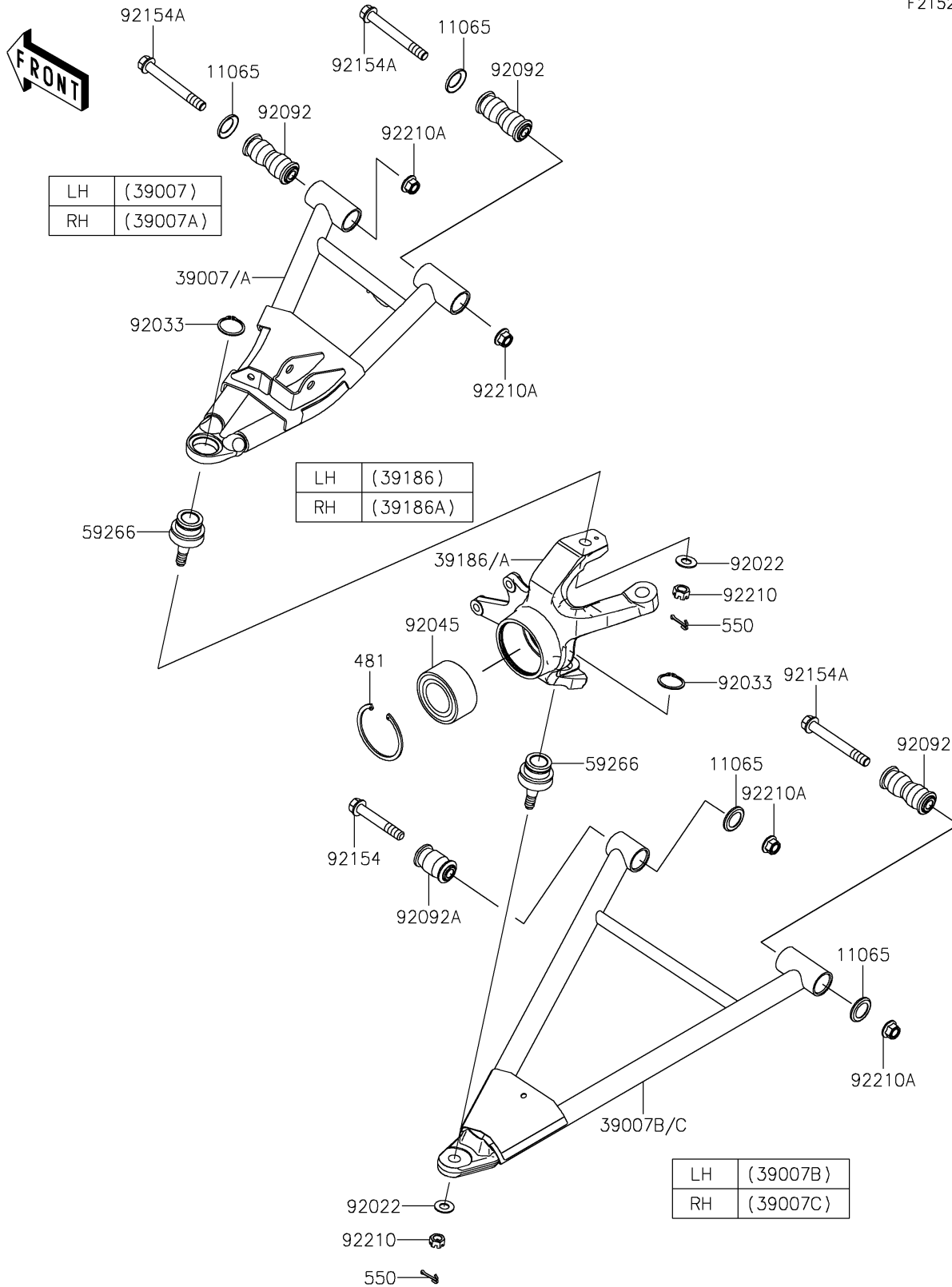


2025 Ridge Ranch Edition

PARTS DIAGRAM

Front Suspension

F2152



2025 Ridge Ranch Edition

PARTS LIST

Front Suspension

ITEM NAME

PART NUMBER

QUANTITY
