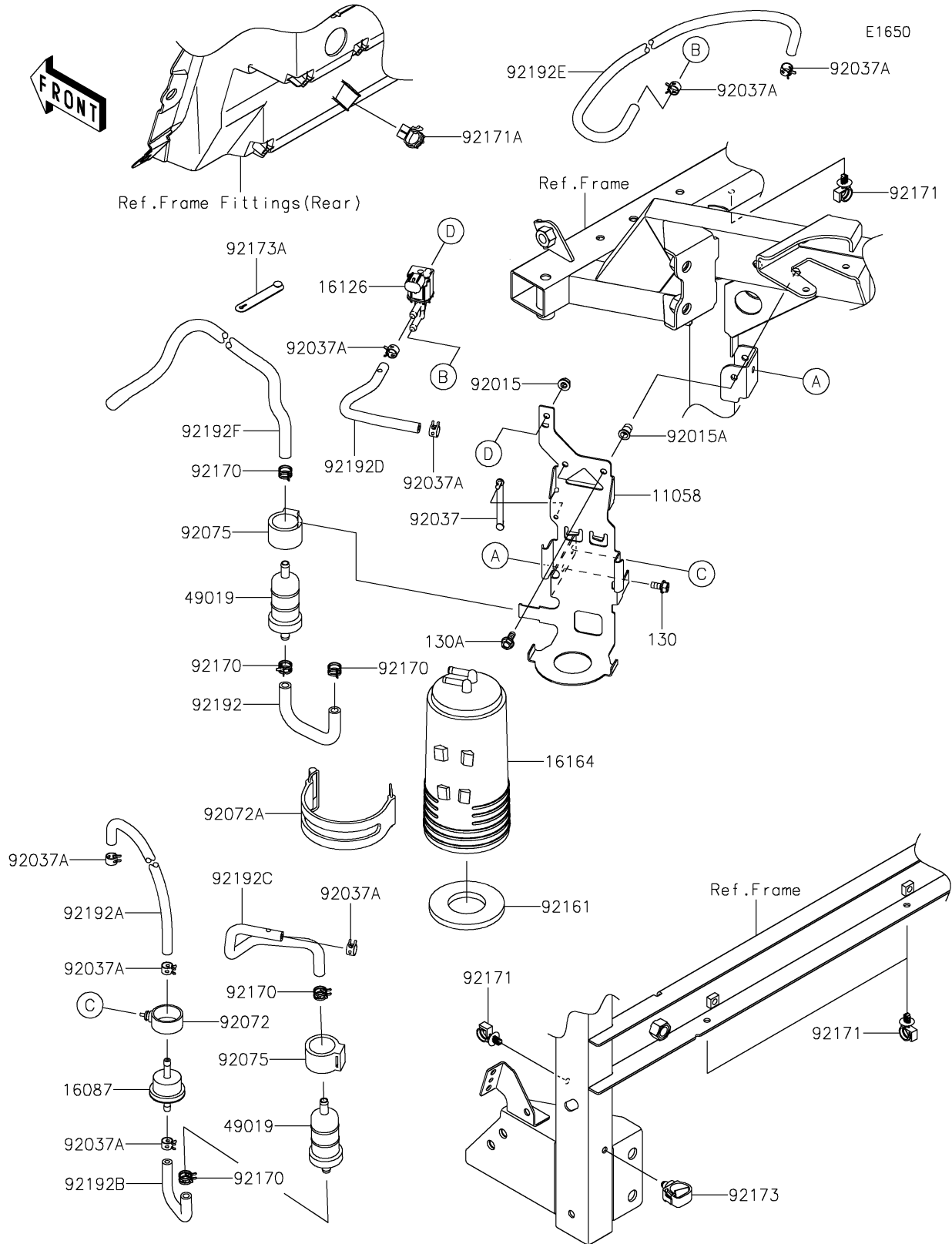


2025 Ridge Ranch Edition

PARTS DIAGRAM

Fuel Evaporative System(CA)



2025 Ridge Ranch Edition

PARTS LIST

Fuel Evaporative System(CA)

ITEM NAME	PART NUMBER	QUANTITY
-----------	-------------	----------
