

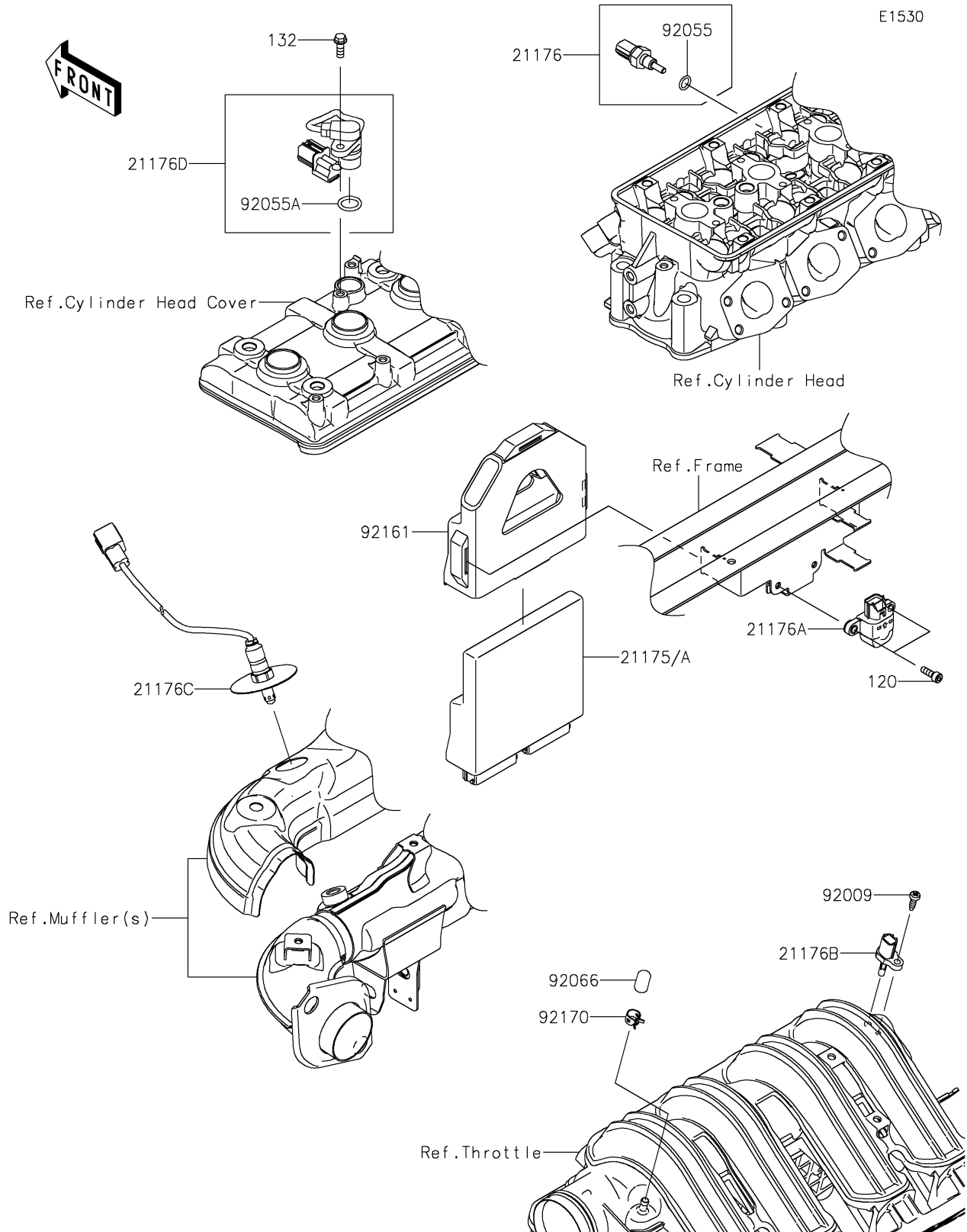
# 2025 Ridge Ranch Edition

## PARTS DIAGRAM

### Fuel Injection

**Kawasaki**

Let the Good Times Roll®



# 2025 Ridge Ranch Edition

## PARTS LIST Fuel Injection

**ITEM NAME**

**PART NUMBER**

**QUANTITY**

---