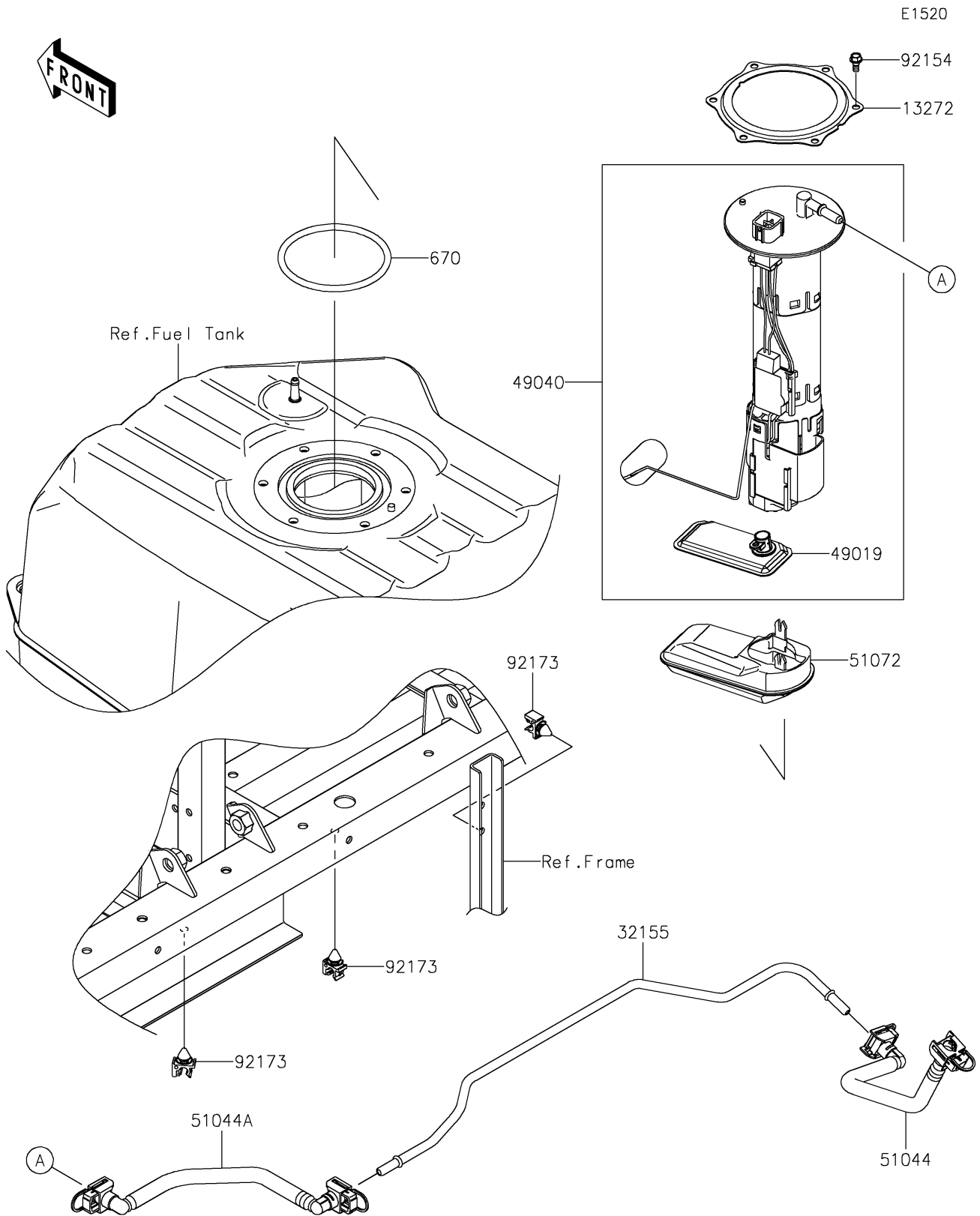


2025 Ridge Ranch Edition

PARTS DIAGRAM

Fuel Pump



2025 Ridge Ranch Edition

PARTS LIST

Fuel Pump

ITEM NAME	PART NUMBER	QUANTITY
-----------	-------------	----------
