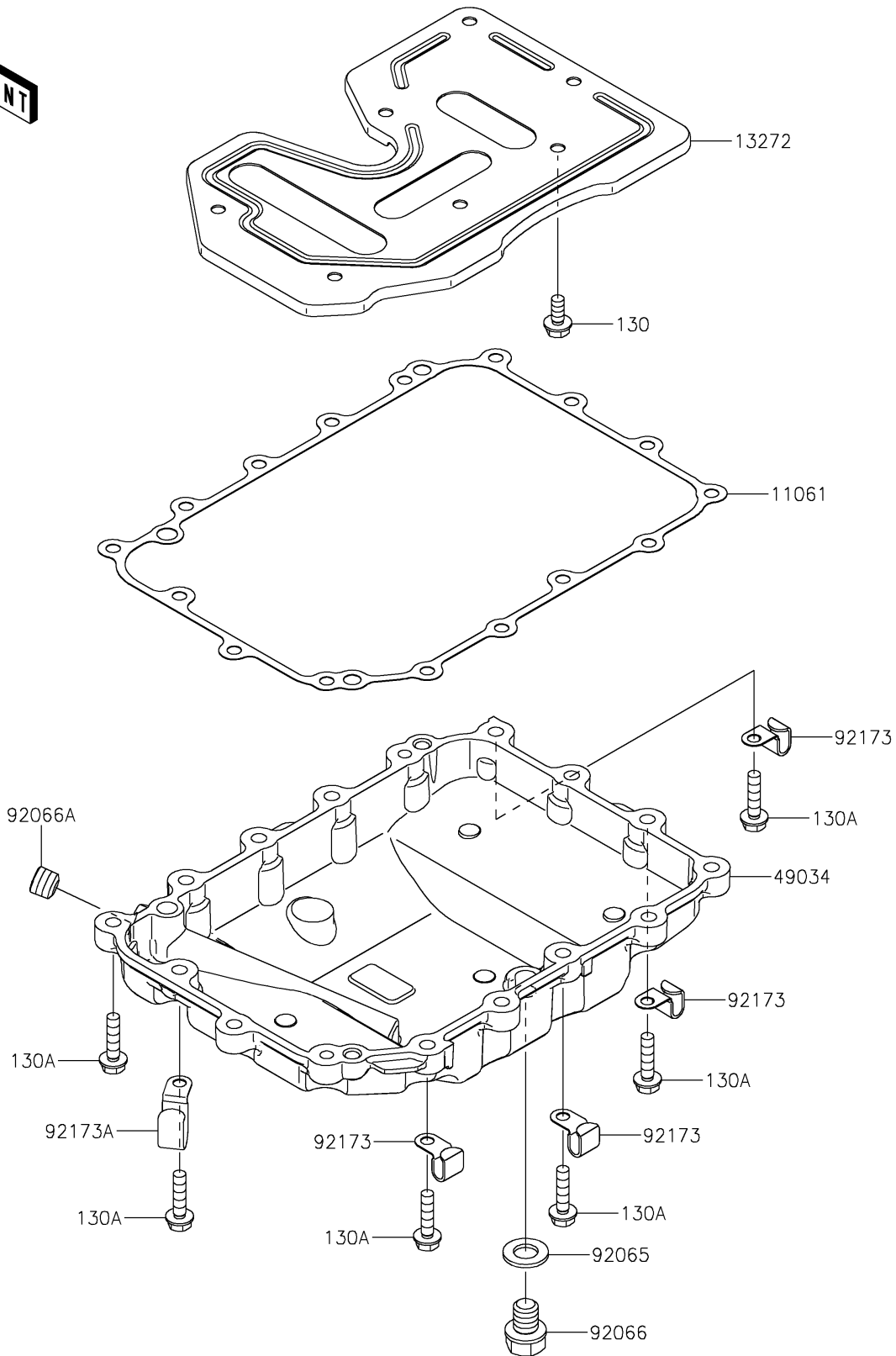


2025 Ridge Ranch Edition

PARTS DIAGRAM

Oil Pan

E1434



2025 Ridge Ranch Edition

PARTS LIST

Oil Pan

ITEM NAME	PART NUMBER	QUANTITY
-----------	-------------	----------
