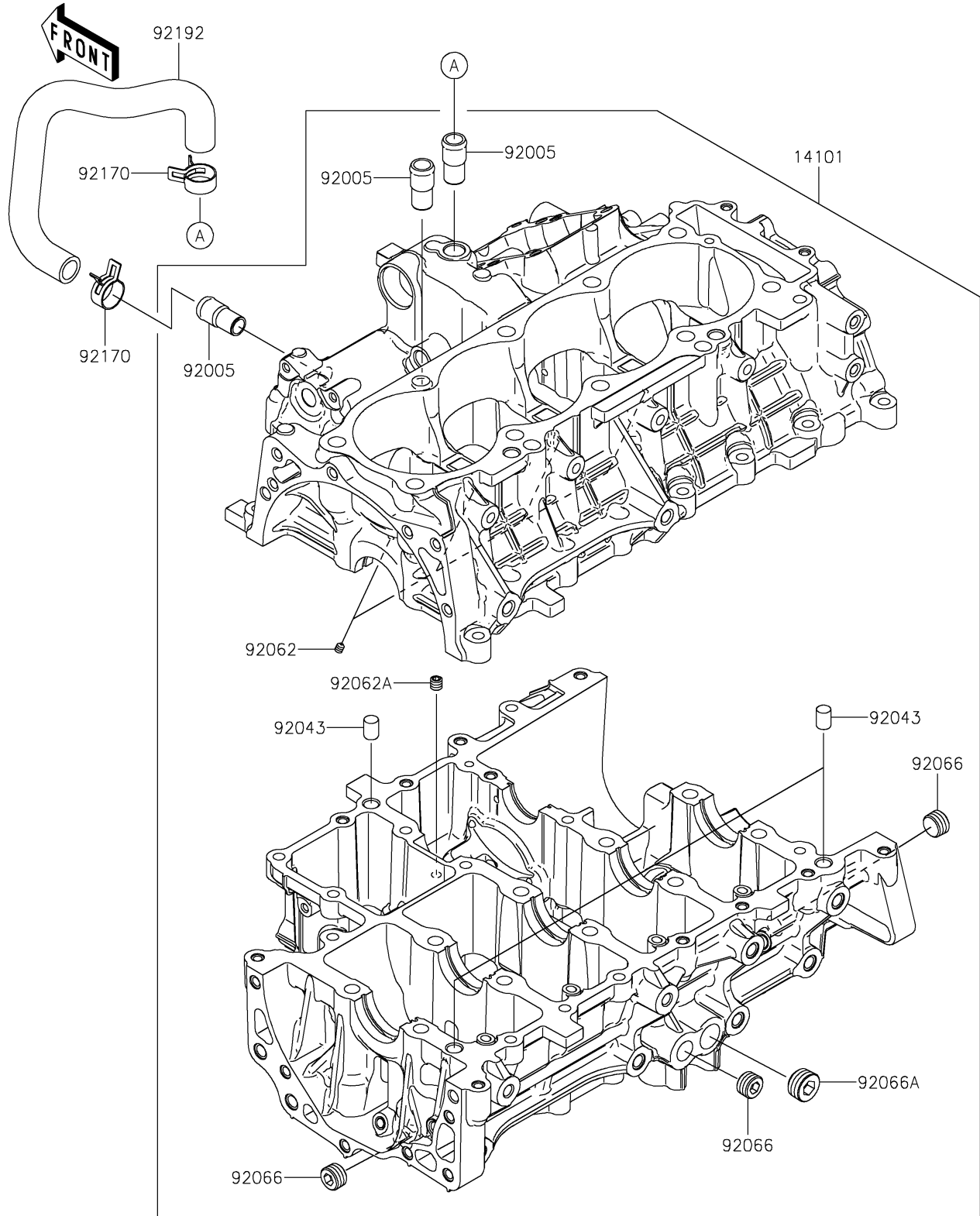


2025 Ridge Ranch Edition

PARTS DIAGRAM

Crankcase

E1411



2025 Ridge Ranch Edition

PARTS LIST

Crankcase

ITEM NAME

PART NUMBER

QUANTITY
