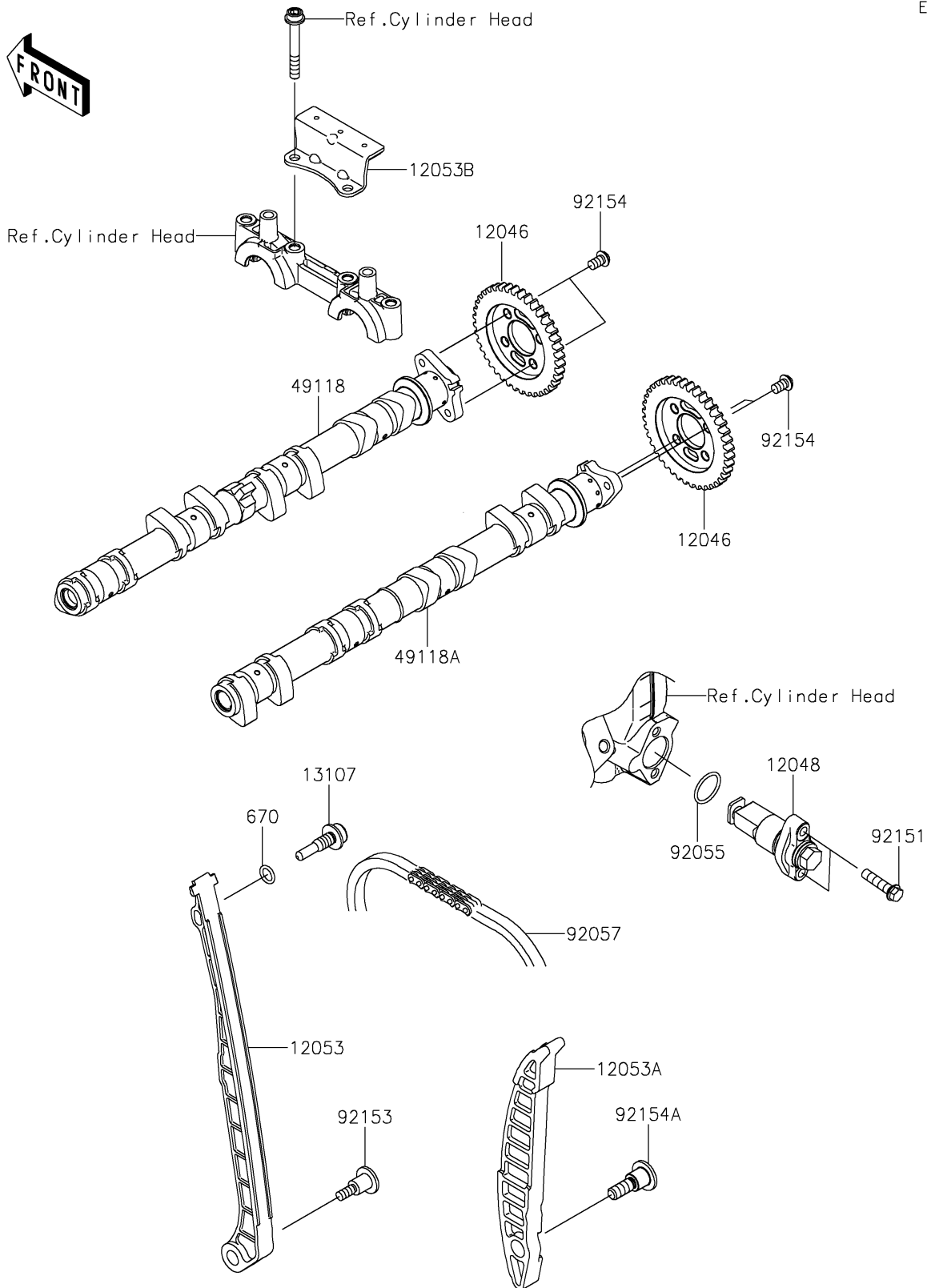


# 2025 Ridge Ranch Edition

## PARTS DIAGRAM

### Camshaft(s)/Tensioner

E1230



# 2025 Ridge Ranch Edition

## PARTS LIST

Camshaft(s)/Tensioner

**ITEM NAME**

**PART NUMBER**

**QUANTITY**

---