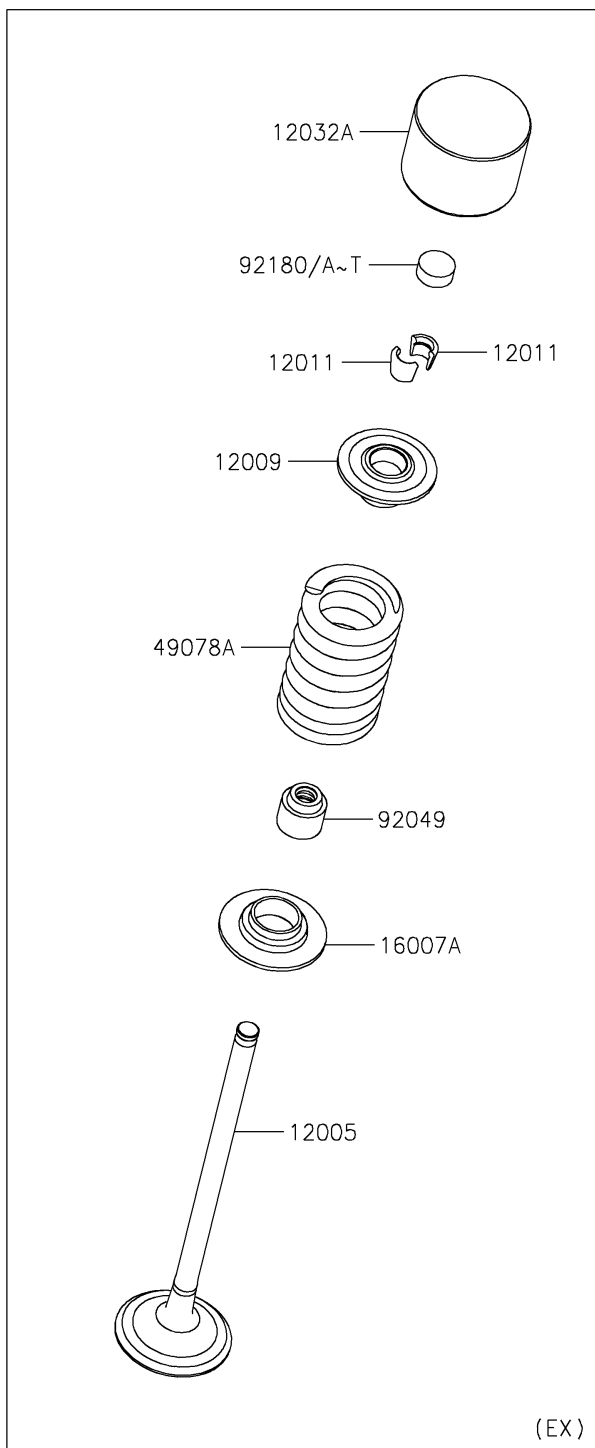
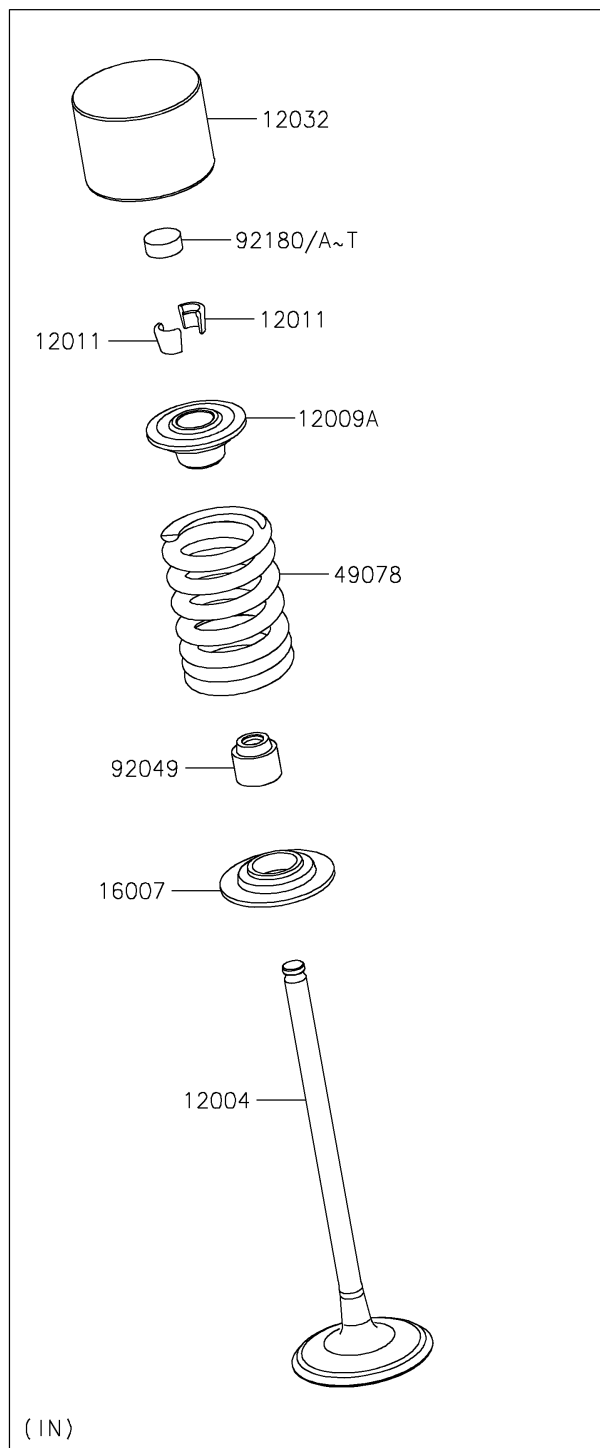


2025 Ridge Ranch Edition

PARTS DIAGRAM

Valve(s)

E1210



2025 Ridge Ranch Edition

PARTS LIST

Valve(s)

ITEM NAME

PART NUMBER

QUANTITY
