

# 2025 Ridge Ranch Edition

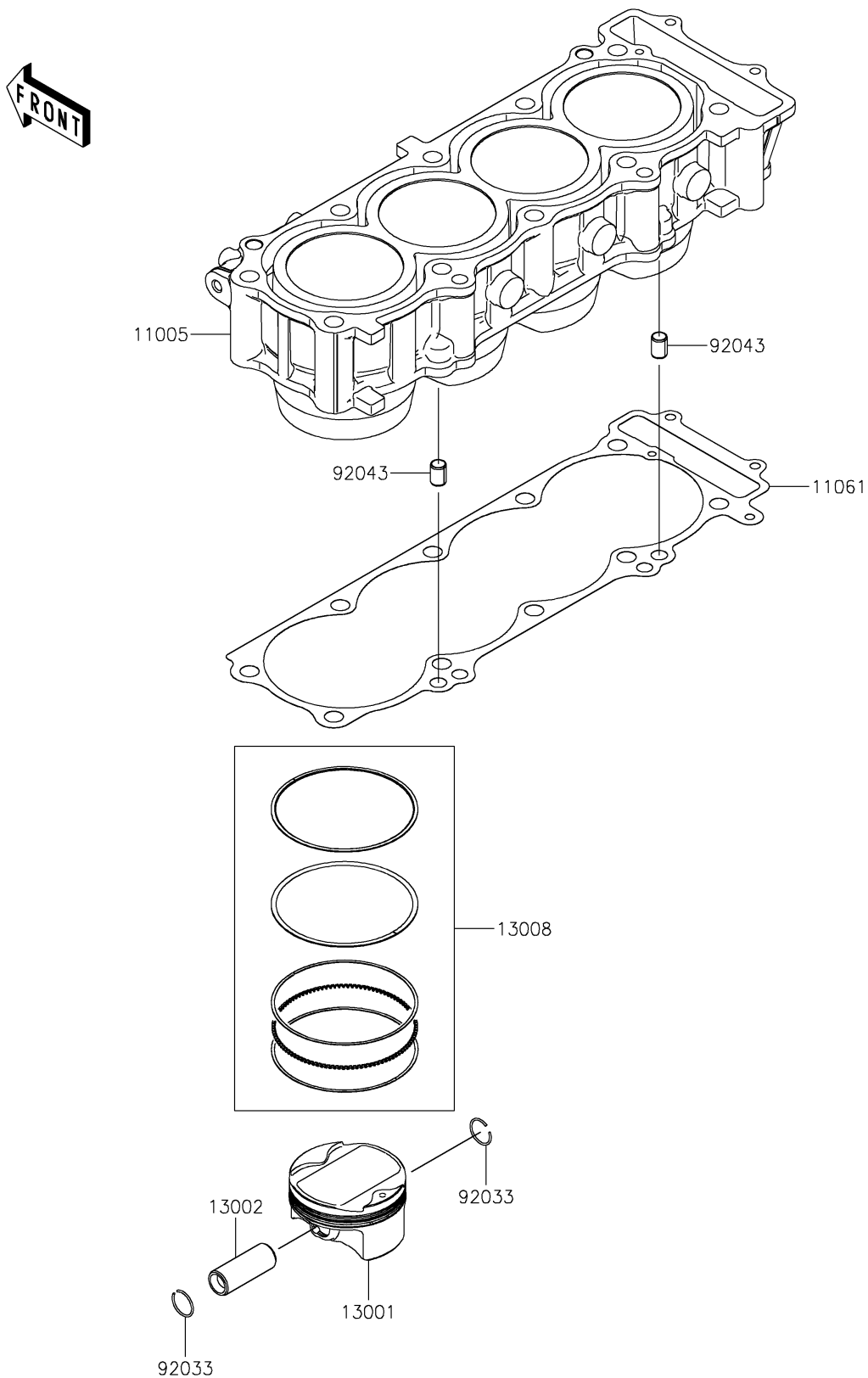
## PARTS DIAGRAM

### Cylinder/Piston(s)

**Kawasaki**

Let the Good Times Roll®

E1120



# 2025 Ridge Ranch Edition

## PARTS LIST

### Cylinder/Piston(s)

ITEM NAME	PART NUMBER	QUANTITY
-----------	-------------	----------

---