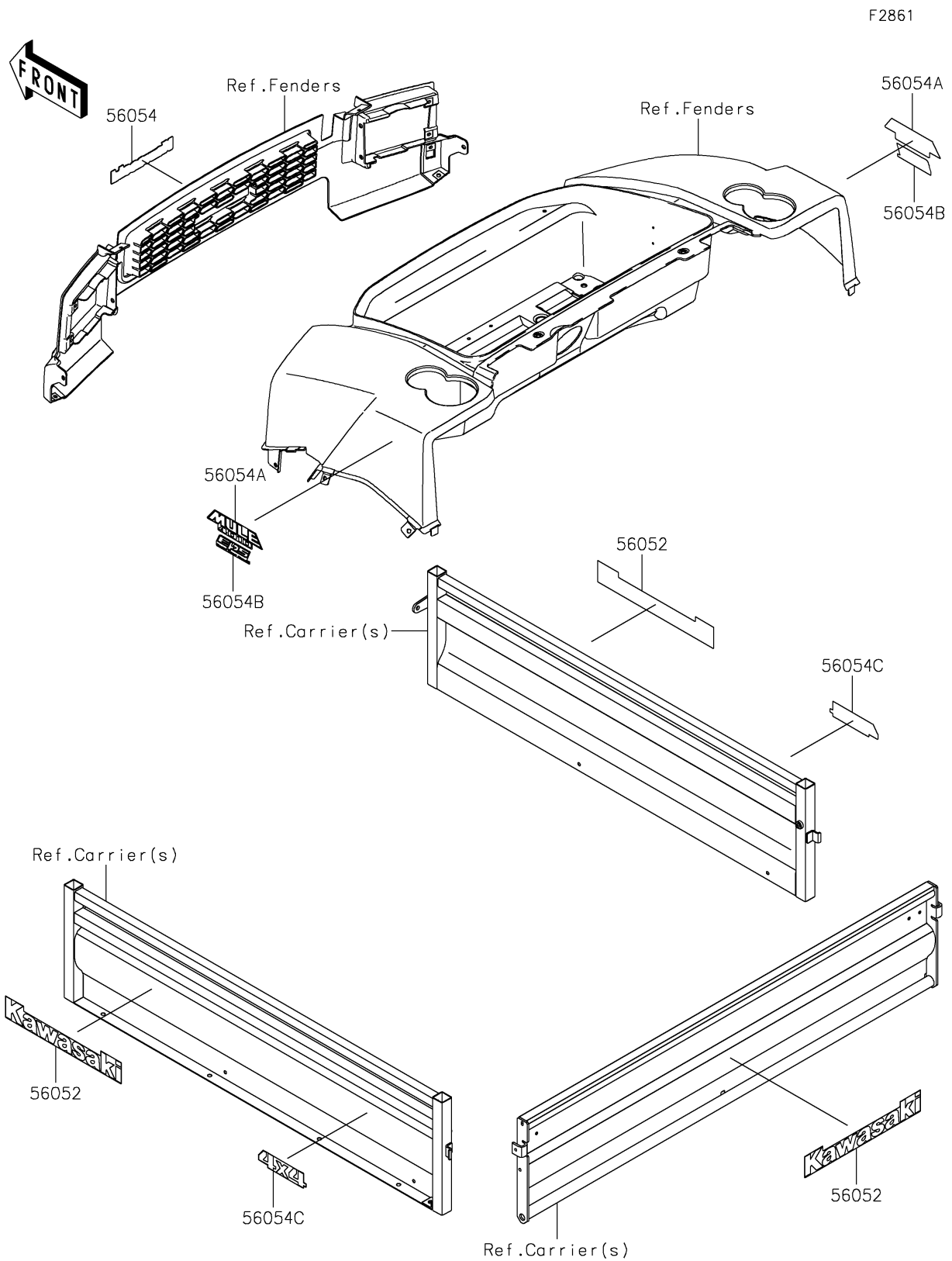


# 2026 MULE™ 4010 4x4

## PARTS DIAGRAM

### Decals



# 2026 MULE™ 4010 4x4

## PARTS LIST

### Decals



**ITEM NAME**

**PART NUMBER**

**QUANTITY**

---