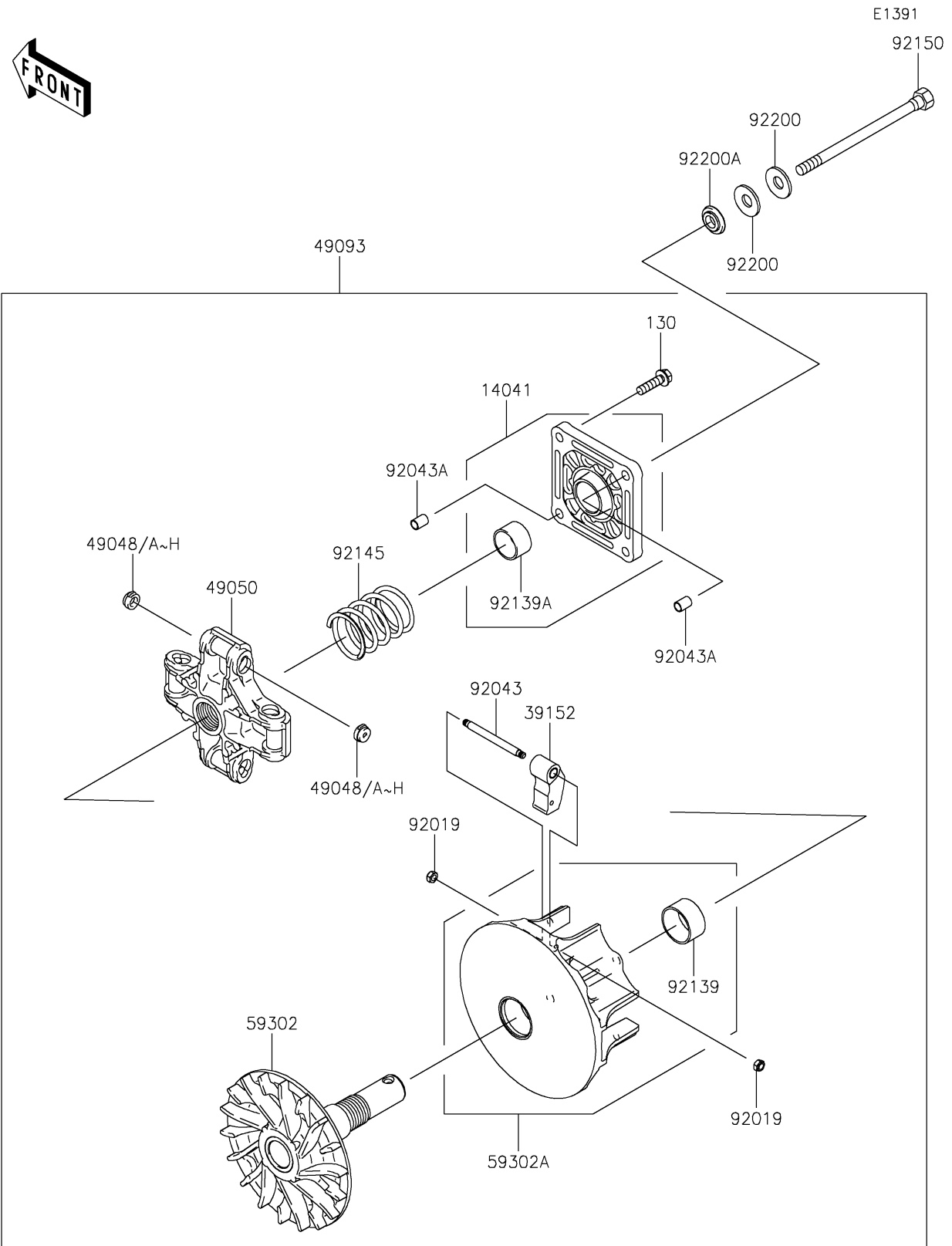


2026 MULE SX™ 4x4 XC

PARTS DIAGRAM

Drive Converter



2026 MULE SX™ 4x4 XC

PARTS LIST

Drive Converter



ITEM NAME

PART NUMBER

QUANTITY
