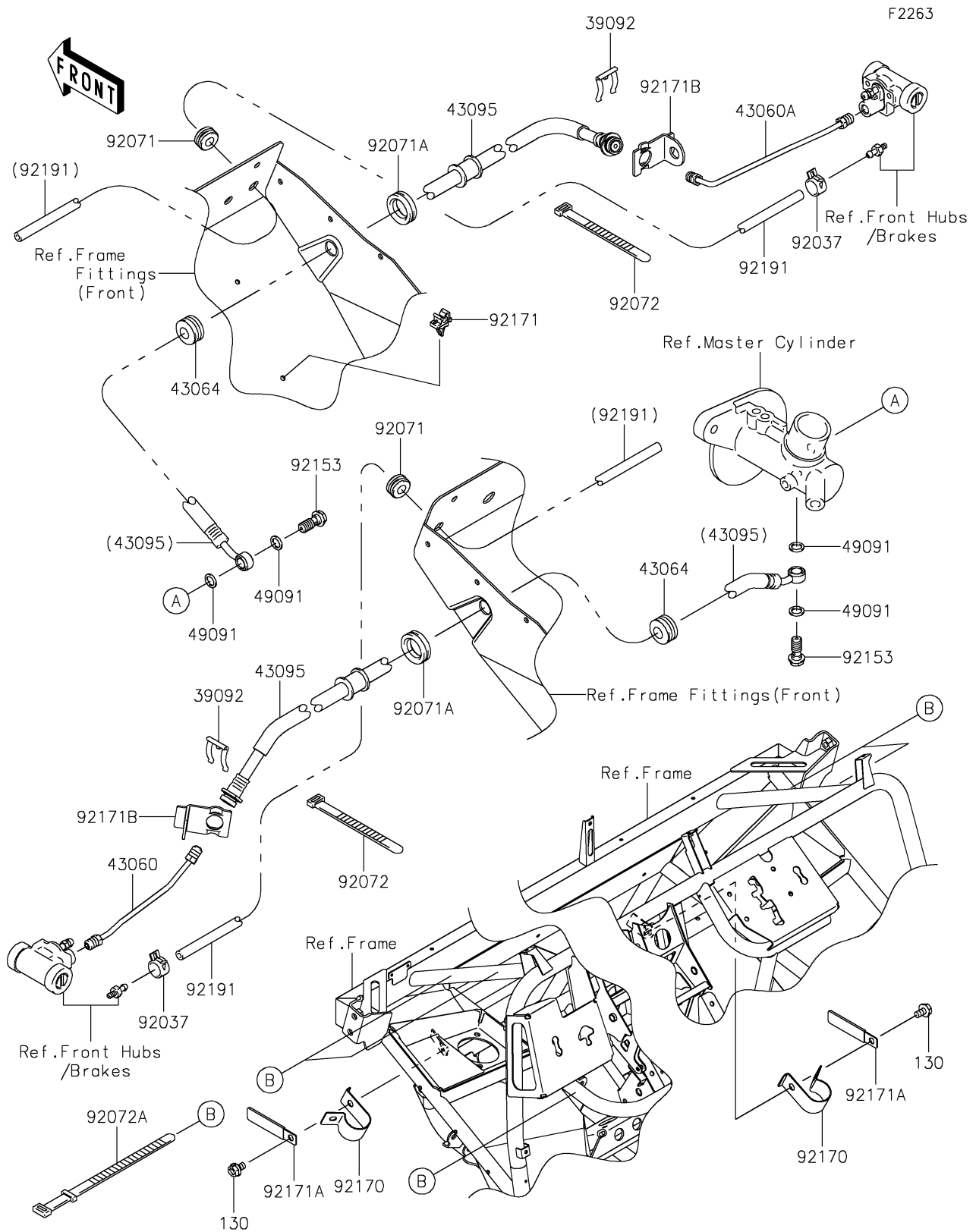


2026 MULE SX™ 4x4

PARTS DIAGRAM

Front Brake Piping



2026 MULE SX™ 4x4

PARTS LIST

Front Brake Piping

ITEM NAME

PART NUMBER

QUANTITY
