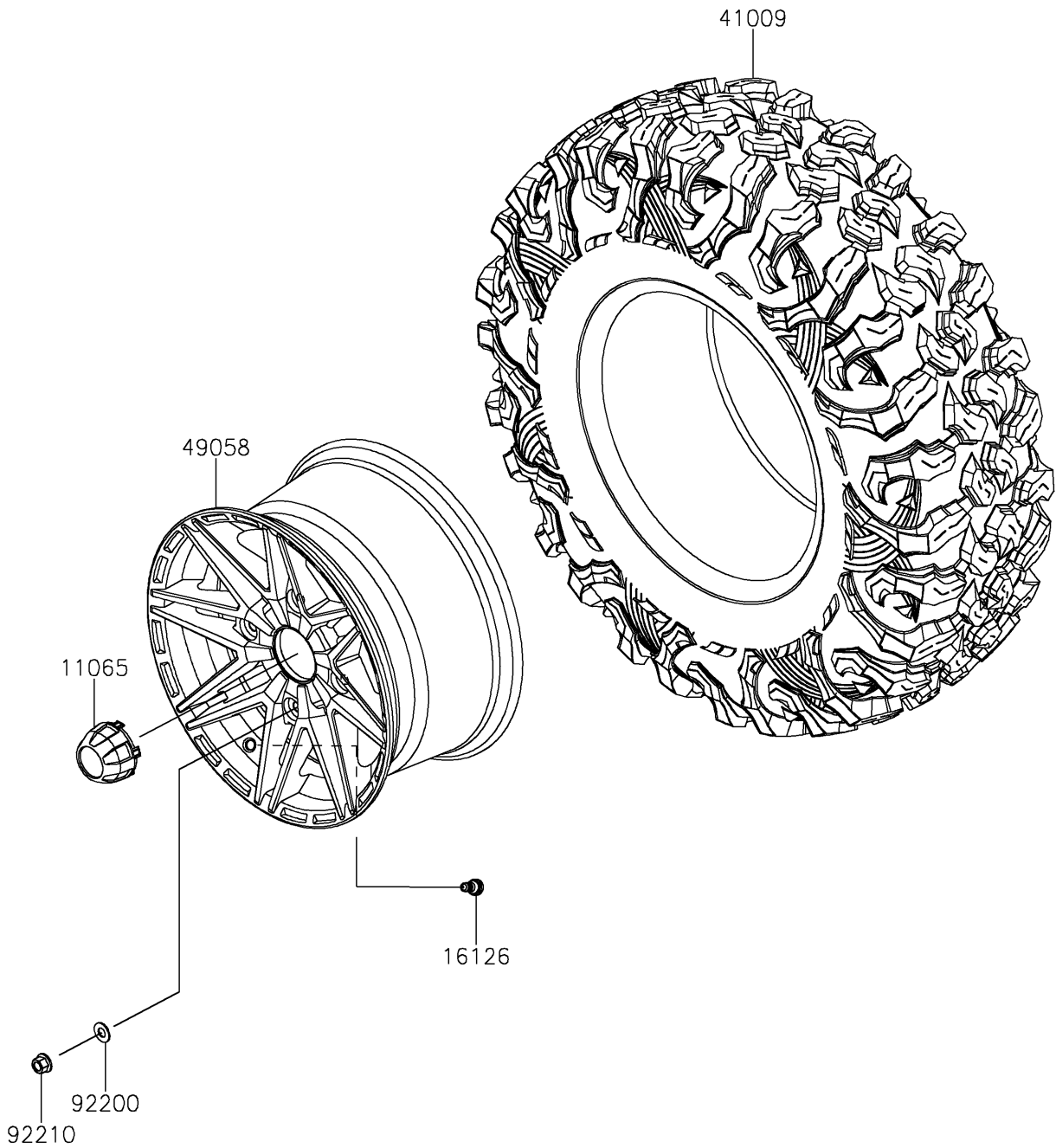


2025 TERYX® KRX4™ 1000

PARTS DIAGRAM

Wheels/Tires

F2210



2025 TERYX® KRX4™ 1000

PARTS LIST

Wheels/Tires

ITEM NAME	PART NUMBER	QUANTITY
CAP,WHEEL (Ref # 11065)	11065-1341	4
VALVE (Ref # 16126)	16126-4001	4
TIRE,31X10.00R15 ML1 (Ref # 41009)	41009-0817	4
WHEEL,BLACK (Ref # 49058)	49058-0715-31D	4
WASHER,12.1X25X1.6 (Ref # 92200)	92200-0455	16
NUT,12MM (Ref # 92210)	92210-0603	16