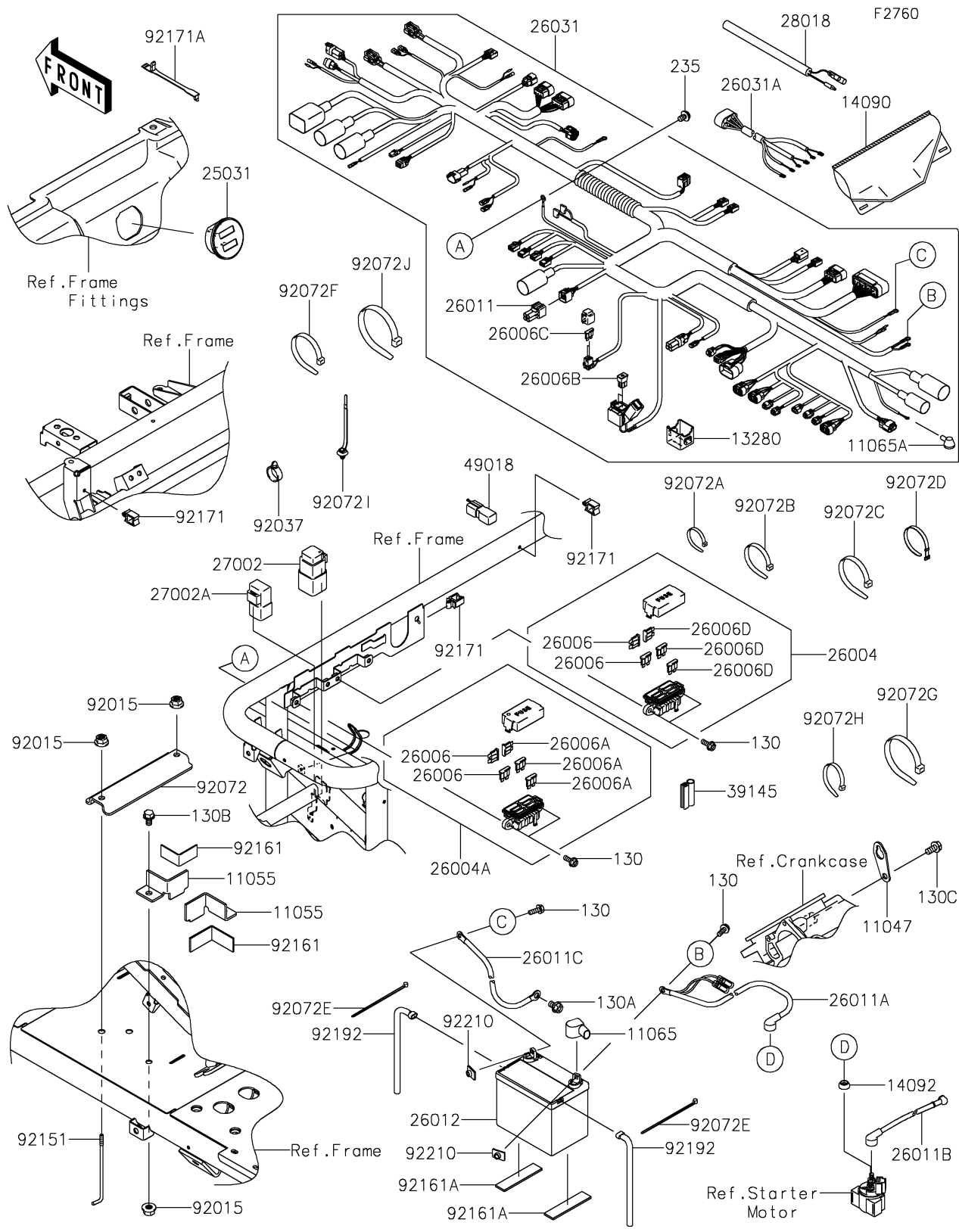


2026 MULE™ 4010 TRANS4x4® CAMO

PARTS DIAGRAM

Chassis Electrical Equipment



2026 MULE™ 4010 TRANS4x4® CAMO

Kawasaki
Let the Good Times Roll®

PARTS LIST

Chassis Electrical Equipment

ITEM NAME	PART NUMBER	QUANTITY
BRACKET,F.BLACK (Ref # 11047)	11047-2056-9H	1
BRACKET (Ref # 11055)	11055-0433	2
CAP,BATTERY TERMINAL (Ref # 11065)	11065-0285	1
CAP,NEUTRAL SW. (Ref # 11065A)	11065-0726	1
HOLDER (Ref # 13280)	13280-7508	1
COVER,COUPLER (Ref # 14090)	14090-1611	1
COVER,MAGNETIC SW. (Ref # 14092)	14092-0851	1
METER-ASSY (Ref # 25031)	25031-0829	1
FUSE-ASSY (Ref # 26004)	26004-0018	1
FUSE-ASSY (Ref # 26004A)	26004-0019	1
FUSE,BLADE,30A,GREEN (Ref # 26006)	26006-0004	4
FUSE,BLADE,10A,RED (Ref # 26006A)	26006-0005	3
FUSE,SLOW BLOW,BT,40A,GREEN (Ref # 26006B)	26006-0014	2
FUSE,7.5A (Ref # 26006C)	26006-0015	2
FUSE,BLADE,20A,YELLOW (Ref # 26006D)	26006-1051	3
WIRE-LEAD (Ref # 26011)	26011-0037	1
WIRE-LEAD,BATTERY(+) (Ref # 26011A)	26011-0813	1
WIRE-LEAD,STARTER (Ref # 26011B)	26011-0815	1
WIRE-LEAD,BATTERY(-) (Ref # 26011C)	26011-7516	1
BATTERY,12V 14AH (Ref # 26012)	26012-0107	1
HARNESS,MAIN (Ref # 26031)	26031-2459	1
HARNESS (Ref # 26031A)	26031-3842	1
RELAY-ASSY (Ref # 27002)	27002-1068	1
RELAY-ASSY (Ref # 27002A)	27002-1088	1
RESISTOR (Ref # 28018)	28018-0553	1
TRIM-SEAL (Ref # 39145)	39145-0046	1
DIODE (Ref # 49018)	49018-0005	1
NUT,FLANGED,8MM (Ref # 92015)	92015-1406	4
CLAMP,HOSE (Ref # 92037)	92037-1827	2

2026 MULE™ 4010 TRANS4x4® CAMO

Kawasaki
Let the Good Times Roll®

PARTS LIST

Chassis Electrical Equipment

ITEM NAME	PART NUMBER	QUANTITY
BAND (Ref # 92072)	92072-0112	1
BAND,L=123 (Ref # 92072A)	92072-030	3
BAND,L=149 (Ref # 92072B)	92072-031	2
BAND,L=218 (Ref # 92072C)	92072-032	2
BAND,L=186 (Ref # 92072D)	92072-056	1
BAND,92X2.4 (Ref # 92072E)	92072-0791	2
BAND,L=202 (Ref # 92072F)	92072-1195	1
BAND,L=250 (Ref # 92072G)	92072-1237	2
BAND,L=188 (Ref # 92072H)	92072-1239	15
BAND,OS170-FT7(BLACK) (Ref # 92072I)	92072-1414	2
BAND,L=368.3 (Ref # 92072J)	92072-3872	4
BOLT,BATTERY (Ref # 92151)	92151-1897	2
DAMPER (Ref # 92161)	92161-0580	2
DAMPER,31.1X130X5 (Ref # 92161A)	92161-0936	2
CLAMP (Ref # 92171)	92171-0290	3
CLAMP (Ref # 92171A)	92171-1365	1
TUBE,BREATHER,7X10X210,WHT MK (Ref # 92192)	92192-1680	2
NUT,PLATE,6MM (Ref # 92210)	92210-1352	2
BOLT-FLANGED,6X16 (Ref # 130)	130BA0616	6
BOLT-FLANGED,8X12 (Ref # 130A)	130BA0812	1
BOLT-FLANGED,8X14 (Ref # 130B)	130BA0814	2
BOLT-FLANGED,8X16 (Ref # 130C)	130BA0816	1
SCREW-PAN-WP-CROS,6X10 (Ref # 235)	235AA0610	1