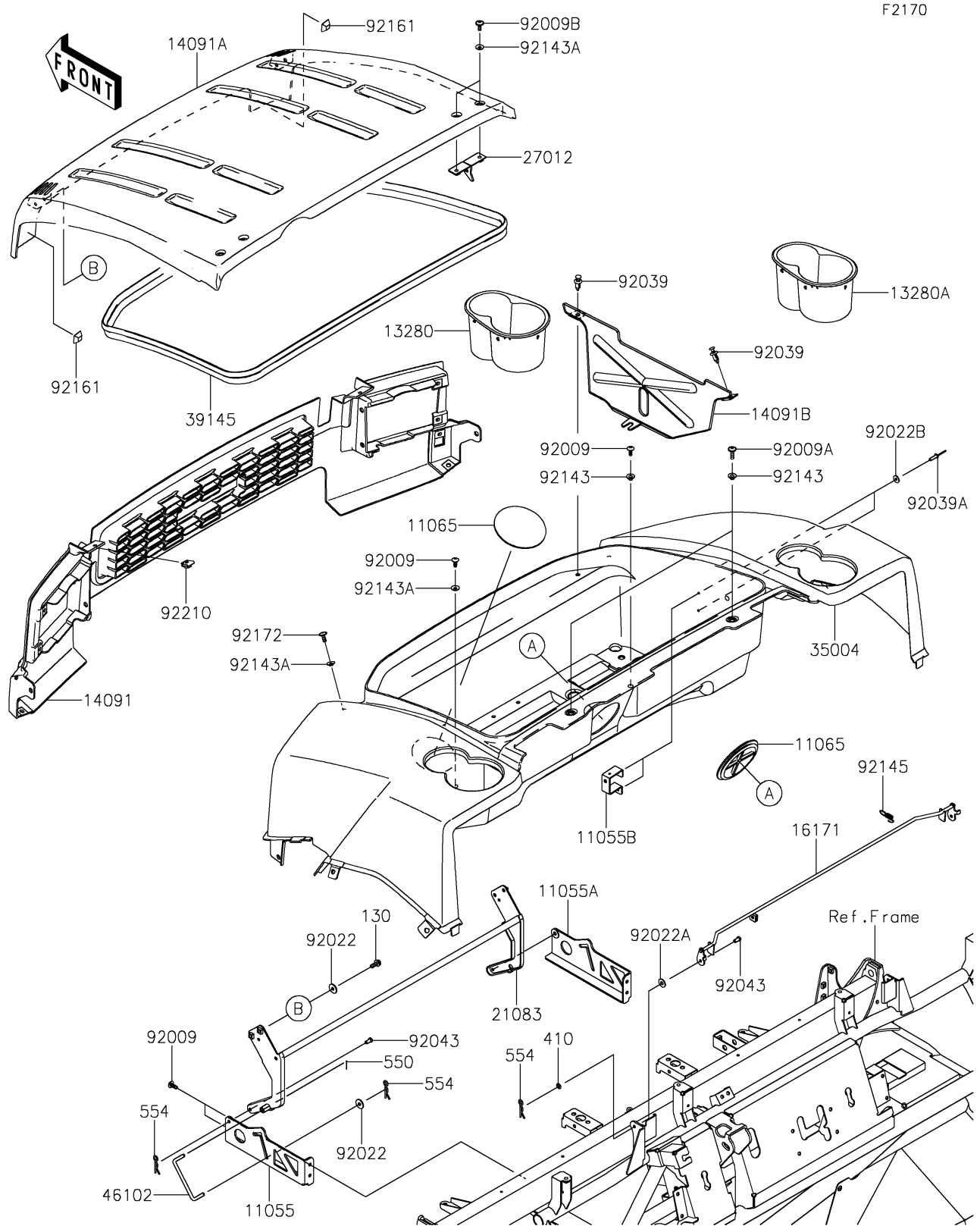


# 2026 MULE™ 4010 TRANS4x4® CAMO

## PARTS DIAGRAM

### Fenders



# 2026 MULE™ 4010 TRANS4x4® CAMO



## PARTS LIST

### Fenders

ITEM NAME	PART NUMBER	QUANTITY
-----------	-------------	----------

---