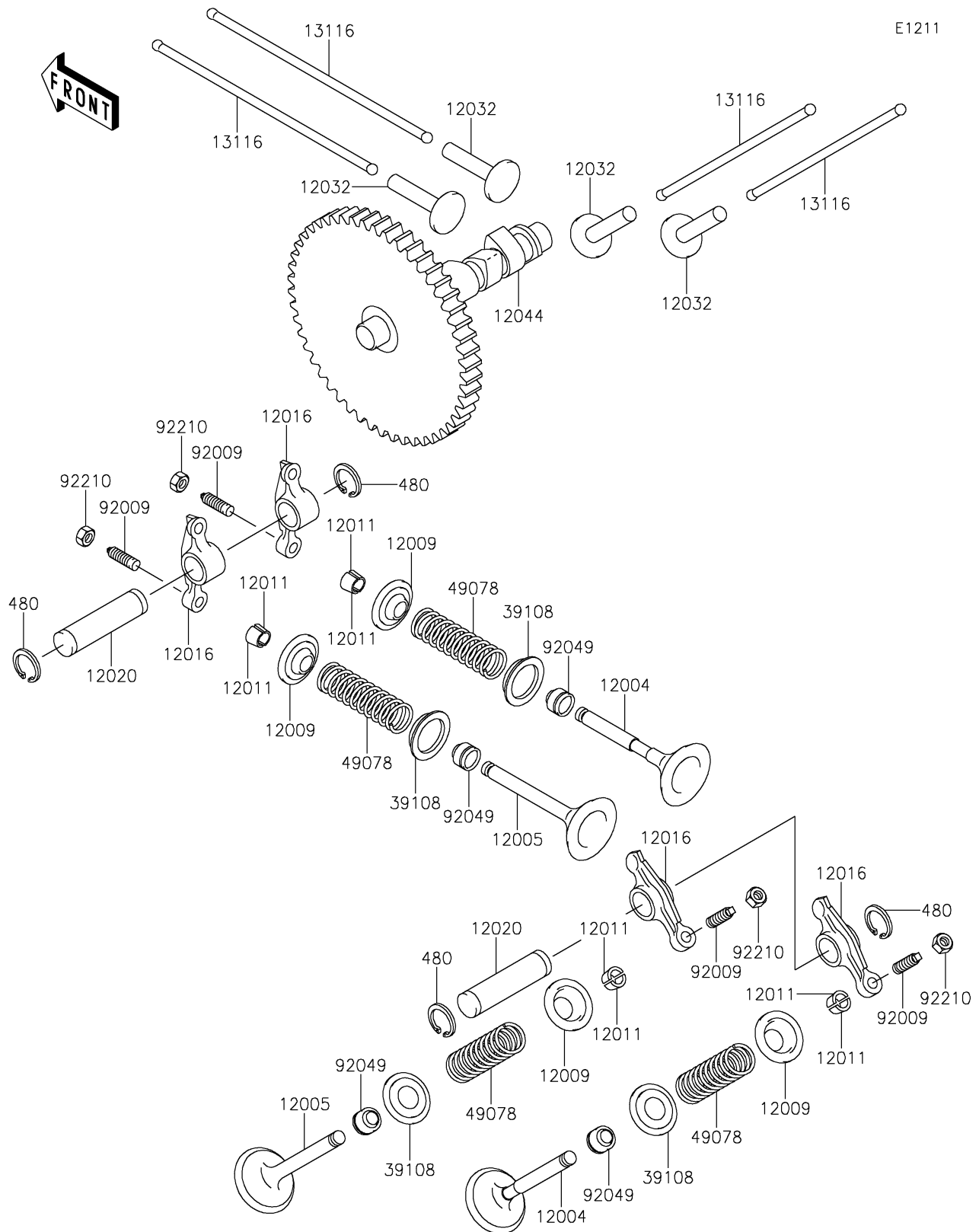


# 2026 MULE™ 4010 TRANS4x4® CAMO

## PARTS DIAGRAM

### Valve(s)/Camshaft(s)



# 2026 MULE™ 4010 TRANS4x4® CAMO



## PARTS LIST

Valve(s)/Camshaft(s)

**ITEM NAME**

**PART NUMBER**

**QUANTITY**

---