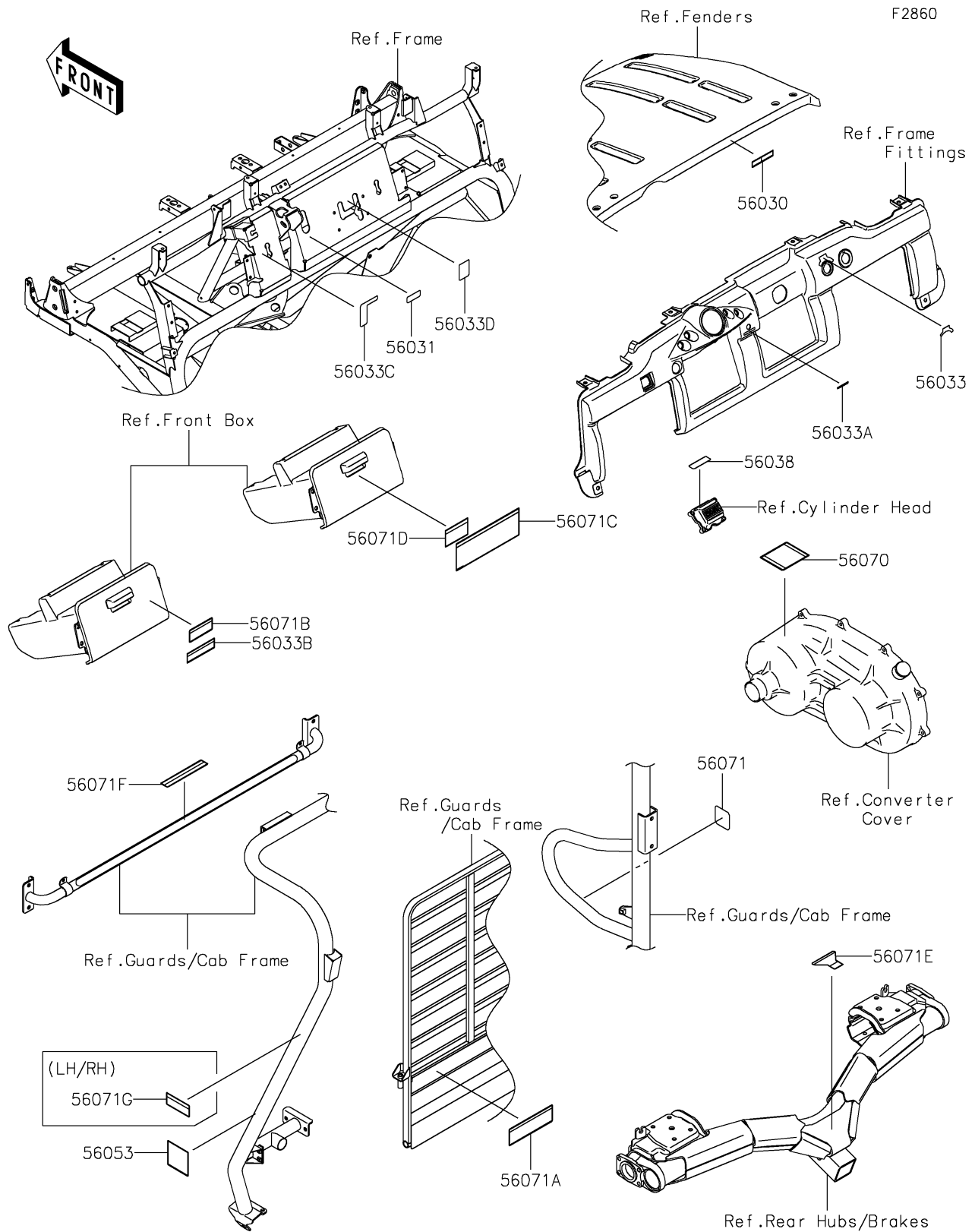


2026 MULE 4000 TRANS™

PARTS DIAGRAM

Labels



2026 MULE 4000 TRANS™

PARTS LIST

Labels



ITEM NAME	PART NUMBER	QUANTITY
-----------	-------------	----------
