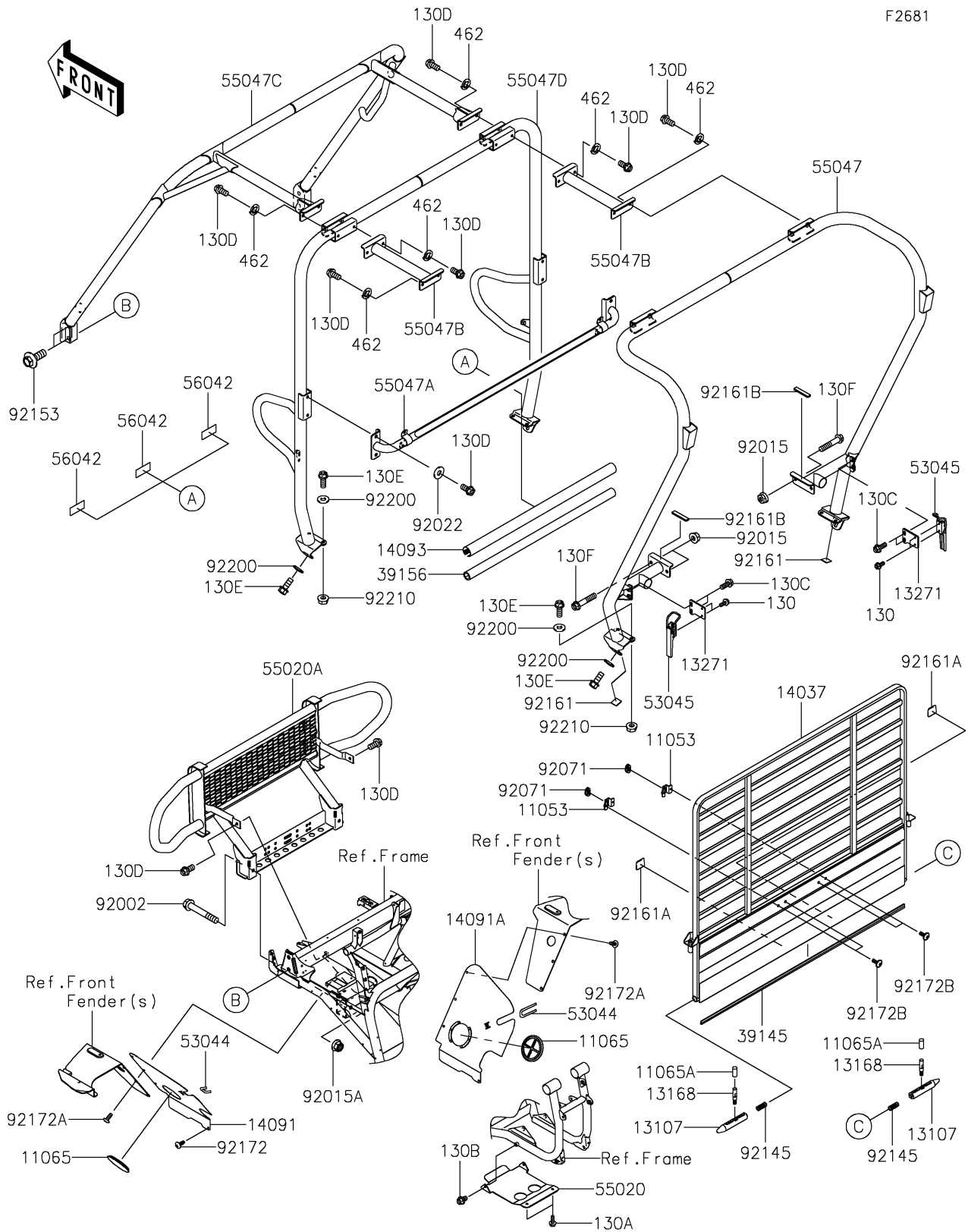


2025 MULE 4000 TRANS™

PARTS DIAGRAM

Guards/Cab Frame



2025 MULE 4000 TRANS™

PARTS LIST

Guards/Cab Frame

ITEM NAME	PART NUMBER	QUANTITY
BRACKET,SCREEN (Ref # 11053)	11053-7528	2
CAP,F.BLACK (Ref # 11065)	11065-1053-6Z	2
CAP (Ref # 11065A)	11065-7503	2
SHAFT (Ref # 13107)	13107-7501	2
LEVER (Ref # 13168)	13168-7506	2
PLATE,HOOK (Ref # 13271)	13271-7540	2
SCREEN,REAR CAB,T.BLACK (Ref # 14037)	14037-0811-388	1
COVER,FR,LH (Ref # 14091)	14091-1758	1
COVER,FR,RH (Ref # 14091A)	14091-1759	1
COVER (Ref # 14093)	14093-0907	1
TRIM-SEAL,L=1157 (Ref # 39145)	39145-7502	1
PAD (Ref # 39156)	39156-7506	1
TRIM (Ref # 53044)	53044-1137	2
HOOK-ASSY (Ref # 53045)	53045-7501	2
GUARD,GEAR CASE (Ref # 55020)	55020-2295	1
GUARD,FR (Ref # 55020A)	55020-2299	1
BAR-COMP,RR,T.BLACK (Ref # 55047)	55047-0385-388	1
BAR-COMP,FRONT SEAT,T.BLACK (Ref # 55047A)	55047-0442-388	1
BAR-COMP,TOP,T.BLACK (Ref # 55047B)	55047-0443-388	2
BAR-COMP,FR,T.BLACK (Ref # 55047C)	55047-0444-388	1
BAR-COMP,CNT,T.BLACK (Ref # 55047D)	55047-0445-388	1
ADHESIVE (Ref # 56042)	56042-7502	3
BOLT,FLANGED,12X75 (Ref # 92002)	92002-1661	2
NUT,FLANGED,10MM (Ref # 92015)	92015-1428	4
NUT,LOCK,FLANGED,12MM (Ref # 92015A)	92015-1433	2
WASHER,10.5X26X2.3 (Ref # 92022)	92022-044	4
GROMMET (Ref # 92071)	92071-7505	2
SPRING,TENSIONER (Ref # 92145)	92145-1215	2
BOLT,FLANGED,14X36 (Ref # 92153)	92153-1282	4

2025 MULE 4000 TRANS™

PARTS LIST

Guards/Cab Frame

ITEM NAME	PART NUMBER	QUANTITY
DAMPER (Ref # 92161)	92161-0020	2
DAMPER (Ref # 92161A)	92161-0061	2
DAMPER (Ref # 92161B)	92161-7514	2
SCREW,TAPPING,6X16 (Ref # 92172)	92172-0739	2
SCREW,6X16 (Ref # 92172A)	92172-0826	6
SCREW,6X14 (Ref # 92172B)	92172-0996	4
WASHER,10.2X23X2.5 (Ref # 92200)	92200-0211	12
NUT,LOCK,FLANGED,10MM (Ref # 92210)	92210-0276	8
BOLT-FLANGED,6X14 (Ref # 130)	130BA0614	4
BOLT-FLANGED,6X16 (Ref # 130A)	130BA0616	2
BOLT-FLANGED,8X12 (Ref # 130B)	130BA0812	2
BOLT-FLANGED,8X20 (Ref # 130C)	130BA0820	4
BOLT-FLANGED,10X20 (Ref # 130D)	130BA1020	18
BOLT-FLANGED,10X25 (Ref # 130E)	130BA1025	12
BOLT-FLANGED,10X50 (Ref # 130F)	130BA1050	4
WASHER-SPRING,10MM (Ref # 462)	462DA1000	12