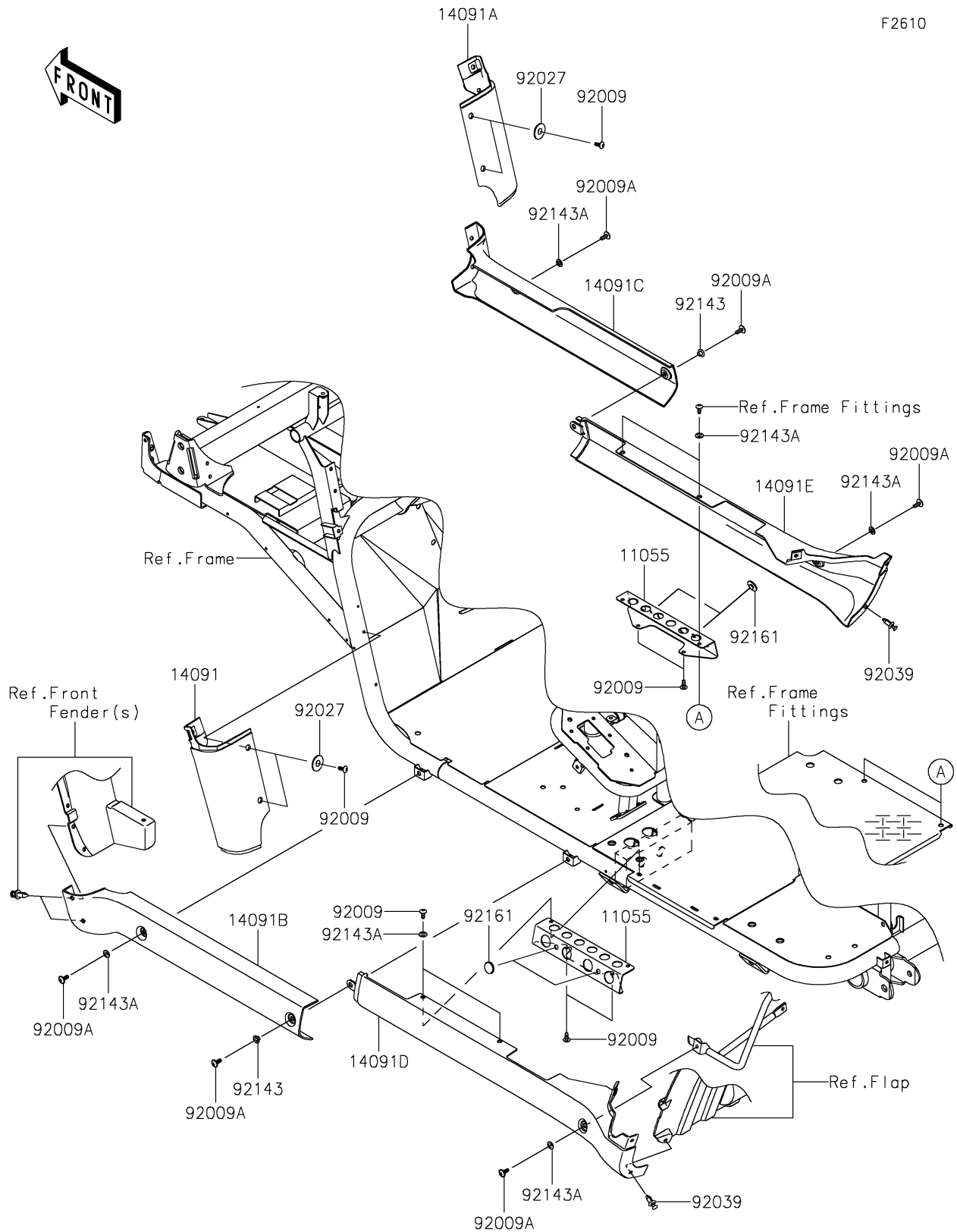


2026 MULE 4000 TRANS™

PARTS DIAGRAM

Side Covers/Chain Cover



2026 MULE 4000 TRANS™

PARTS LIST

Side Covers/Chain Cover

ITEM NAME	PART NUMBER	QUANTITY
-----------	-------------	----------
