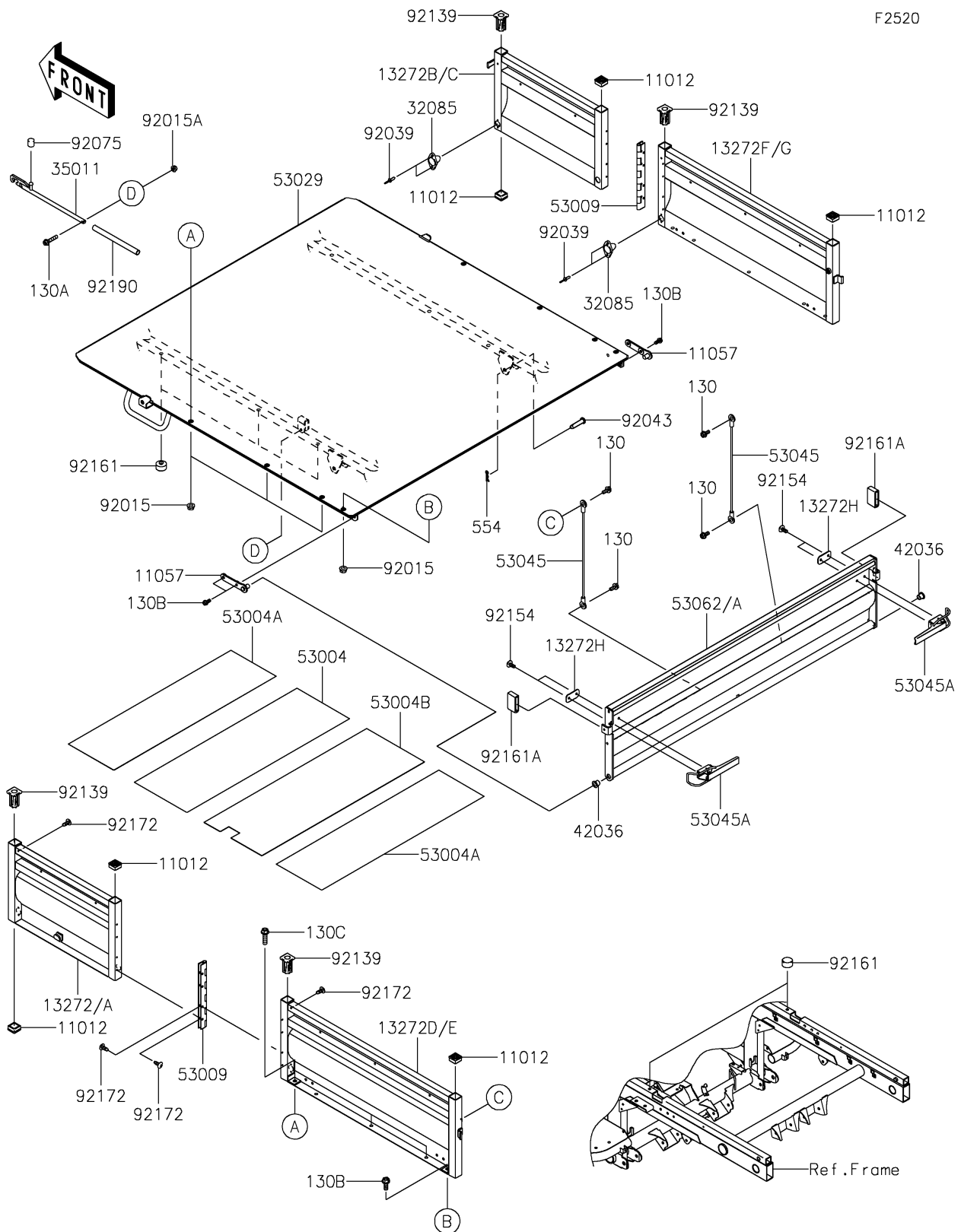


2026 MULE 4000 TRANS™

PARTS DIAGRAM

Carrier(s)



2026 MULE 4000 TRANS™

PARTS LIST

Carrier(s)

ITEM NAME

PART NUMBER

QUANTITY
