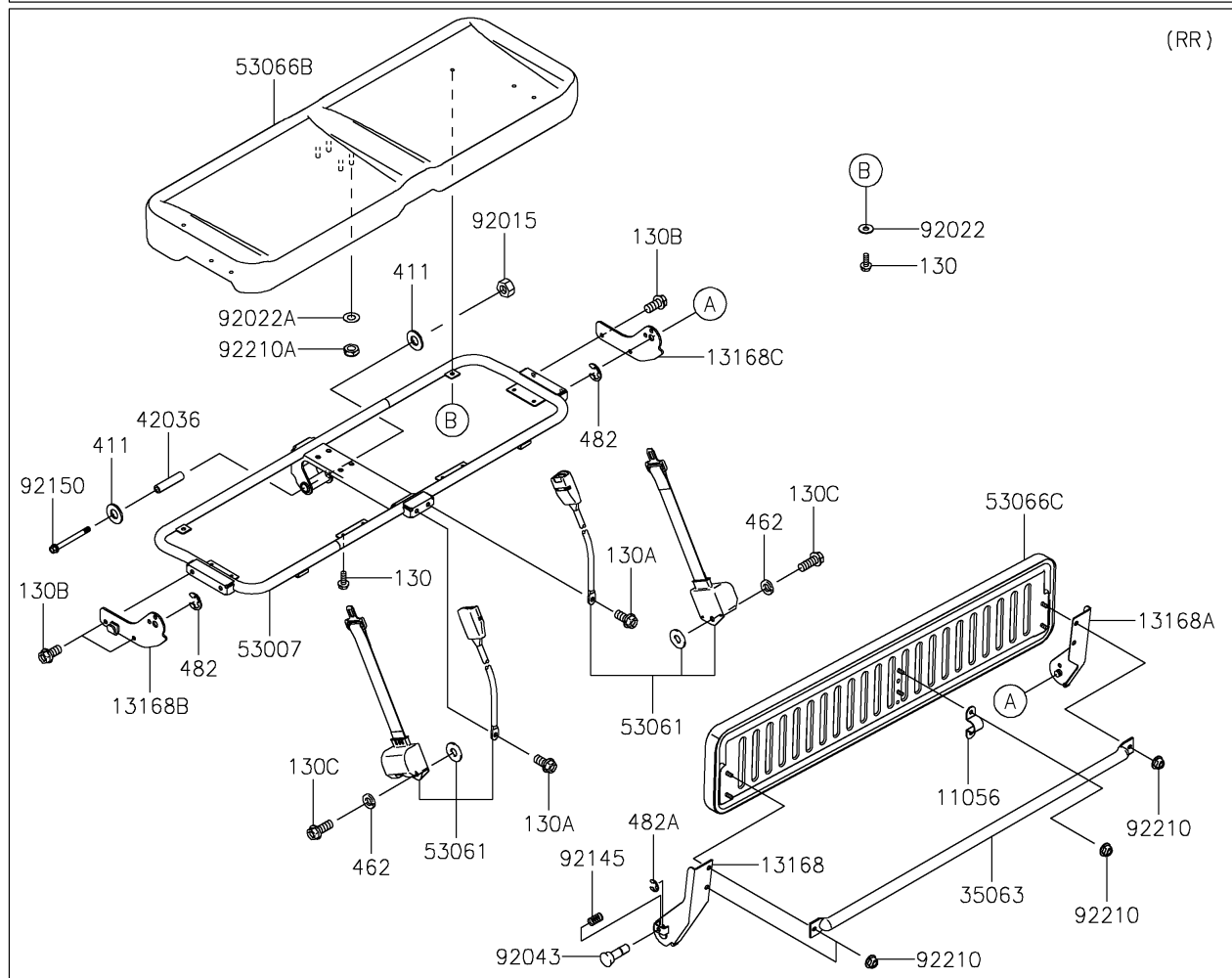
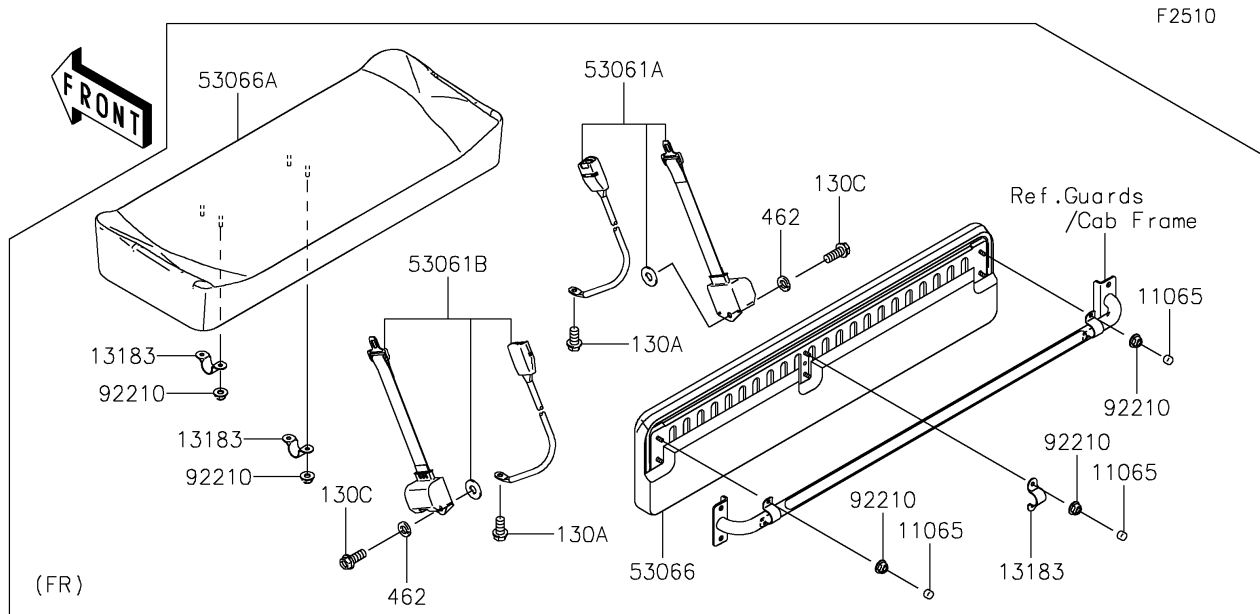


2026 MULE 4000 TRANS™

PARTS DIAGRAM

Seat



2026 MULE 4000 TRANS™

PARTS LIST

Seat

ITEM NAME

PART NUMBER

QUANTITY
