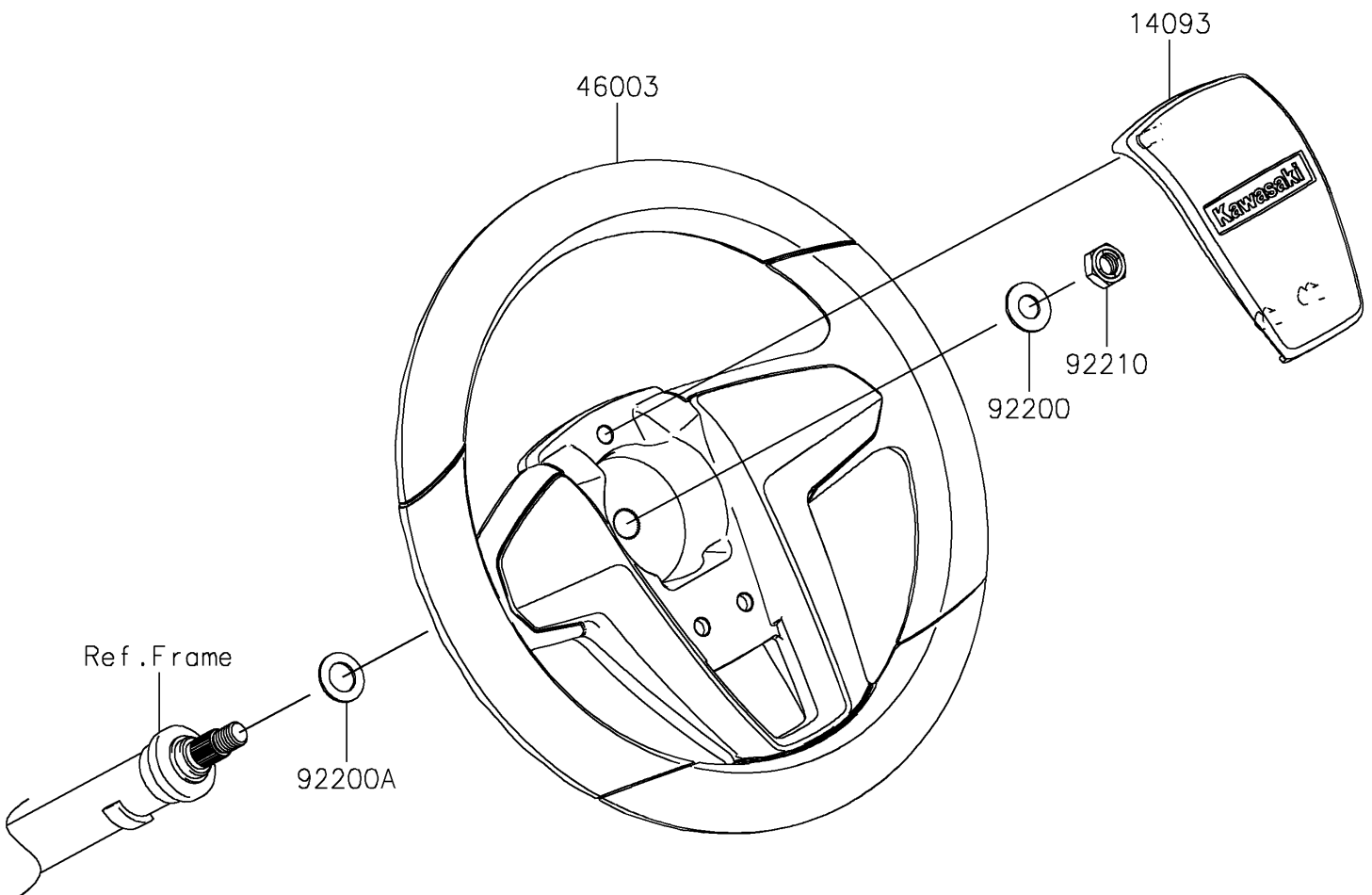


2026 MULE 4000 TRANS™

PARTS DIAGRAM

Steering Wheel

F2311



2026 MULE 4000 TRANS™

PARTS LIST

Steering Wheel

ITEM NAME	PART NUMBER	QUANTITY
-----------	-------------	----------
