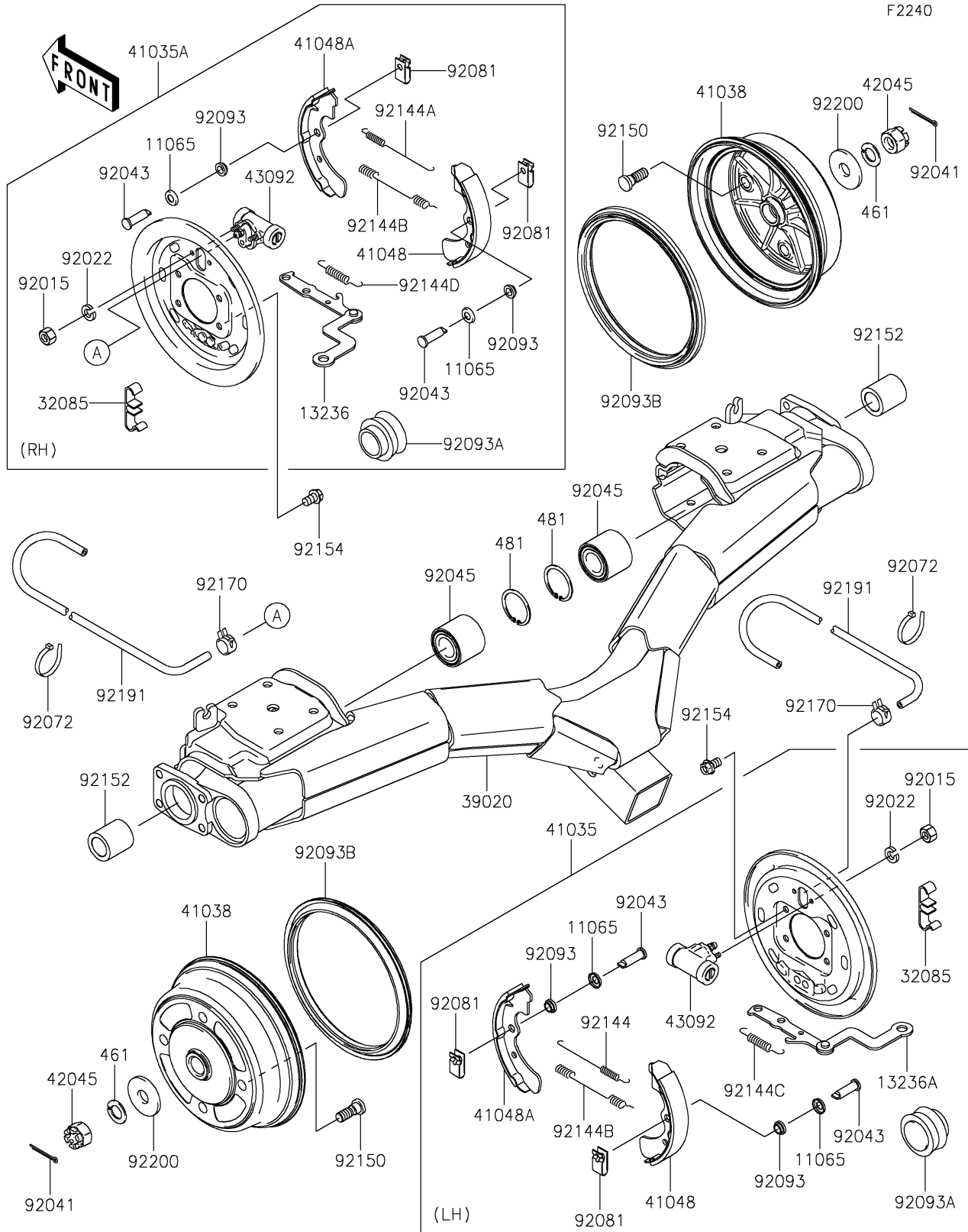


# 2026 MULE 4000 TRANS™

## PARTS DIAGRAM

### Rear Hubs/Brakes



# 2026 MULE 4000 TRANS™

## PARTS LIST

### Rear Hubs/Brakes

ITEM NAME	PART NUMBER	QUANTITY
-----------	-------------	----------

---