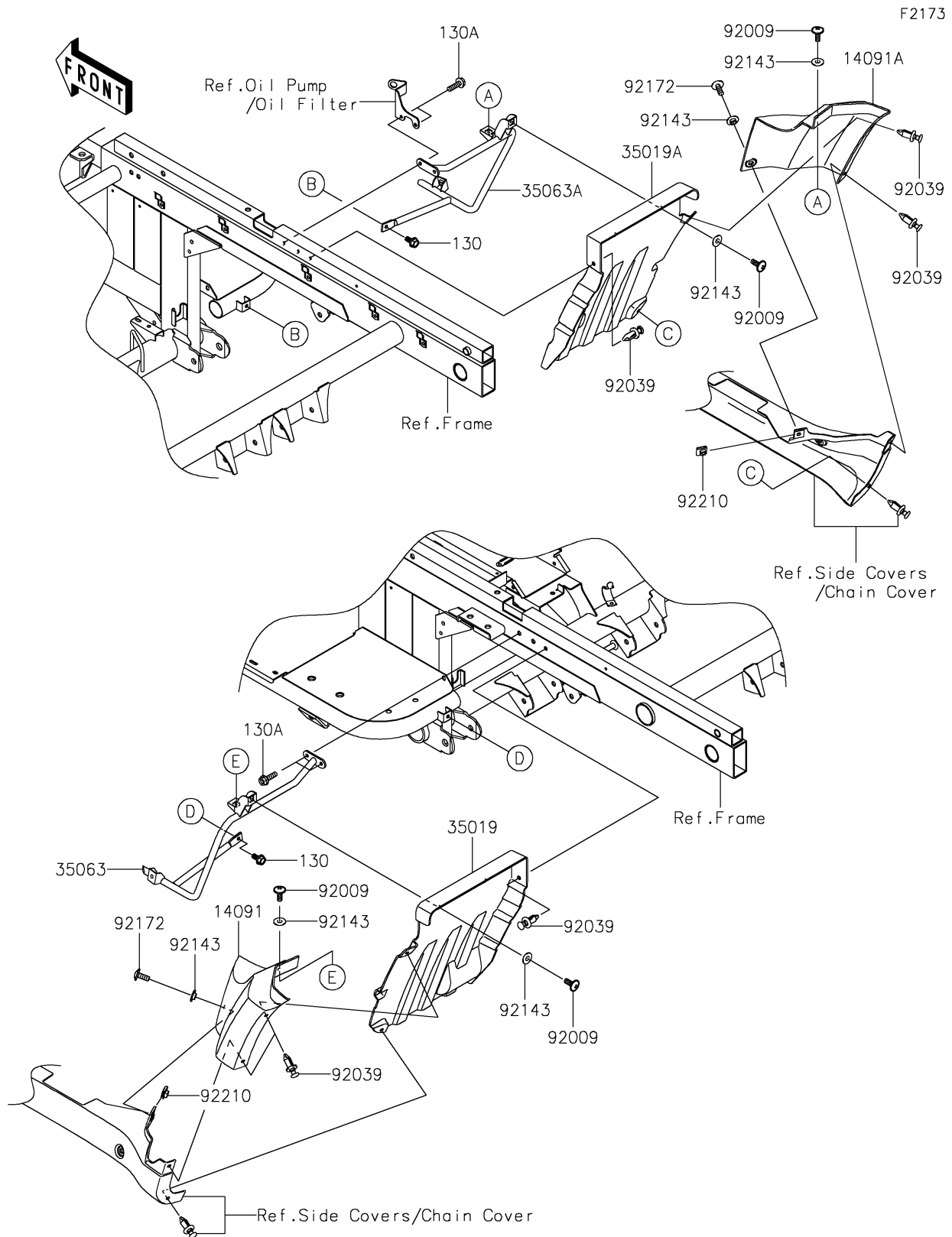


2026 MULE 4000 TRANS™

PARTS DIAGRAM

Flap



2026 MULE 4000 TRANS™

PARTS LIST

Flap

ITEM NAME

PART NUMBER

QUANTITY
