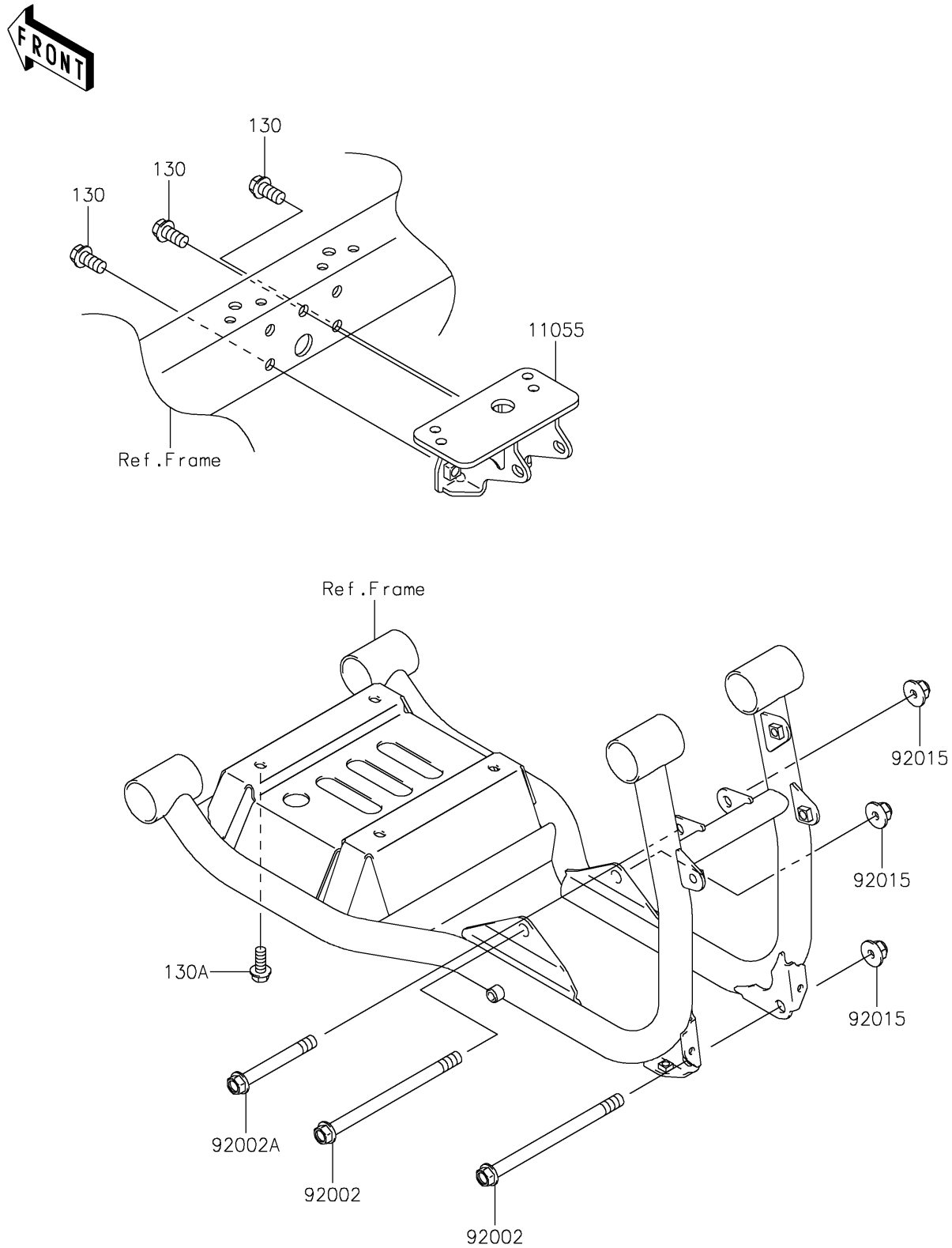


2026 MULE 4000 TRANS™

PARTS DIAGRAM

Engine Mount

F2122



2026 MULE 4000 TRANS™

PARTS LIST Engine Mount

ITEM NAME	PART NUMBER	QUANTITY
-----------	-------------	----------
