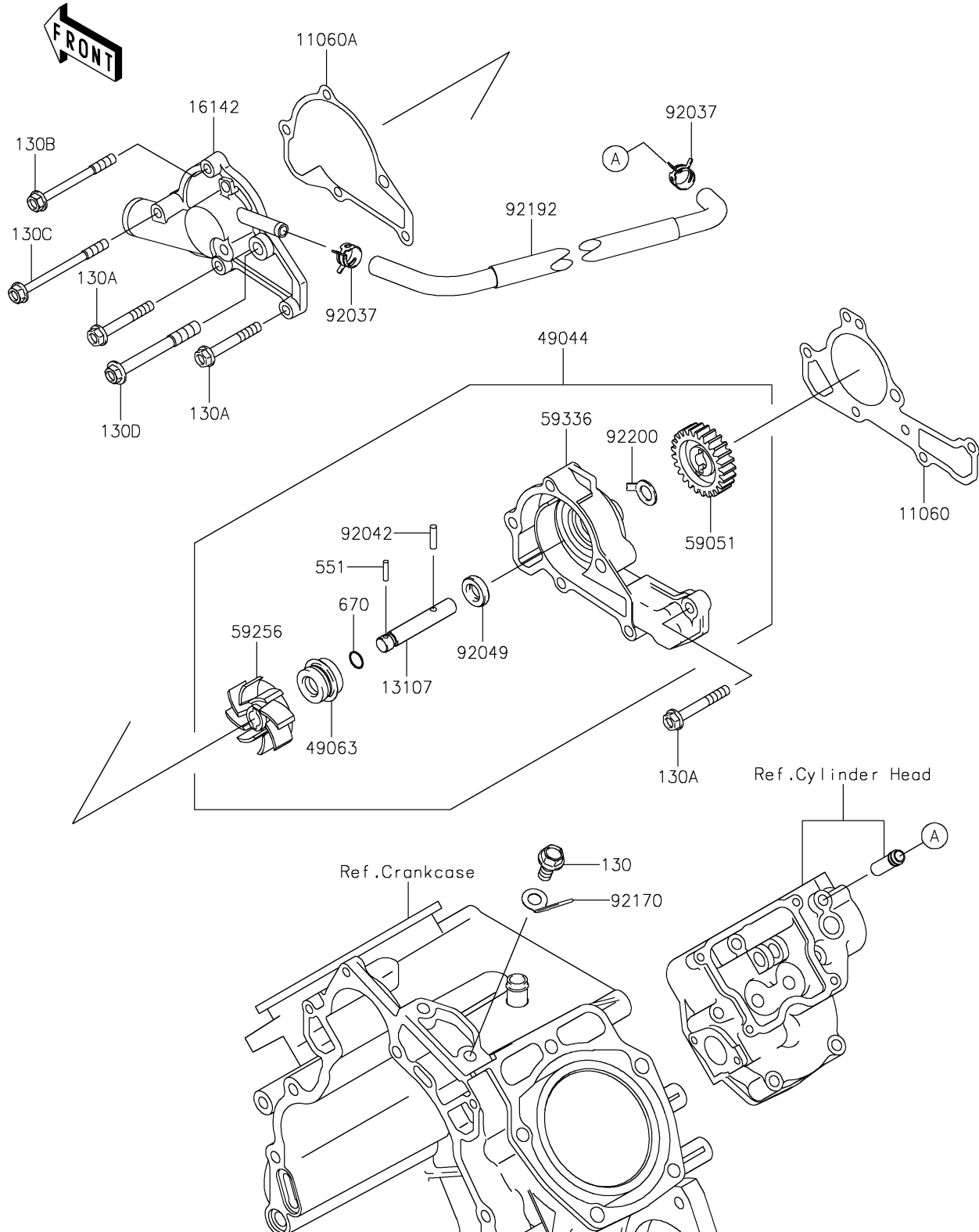


2026 MULE 4000 TRANS™

PARTS DIAGRAM

Water Pump

E3031



2026 MULE 4000 TRANS™

PARTS LIST

Water Pump

ITEM NAME	PART NUMBER	QUANTITY
-----------	-------------	----------
