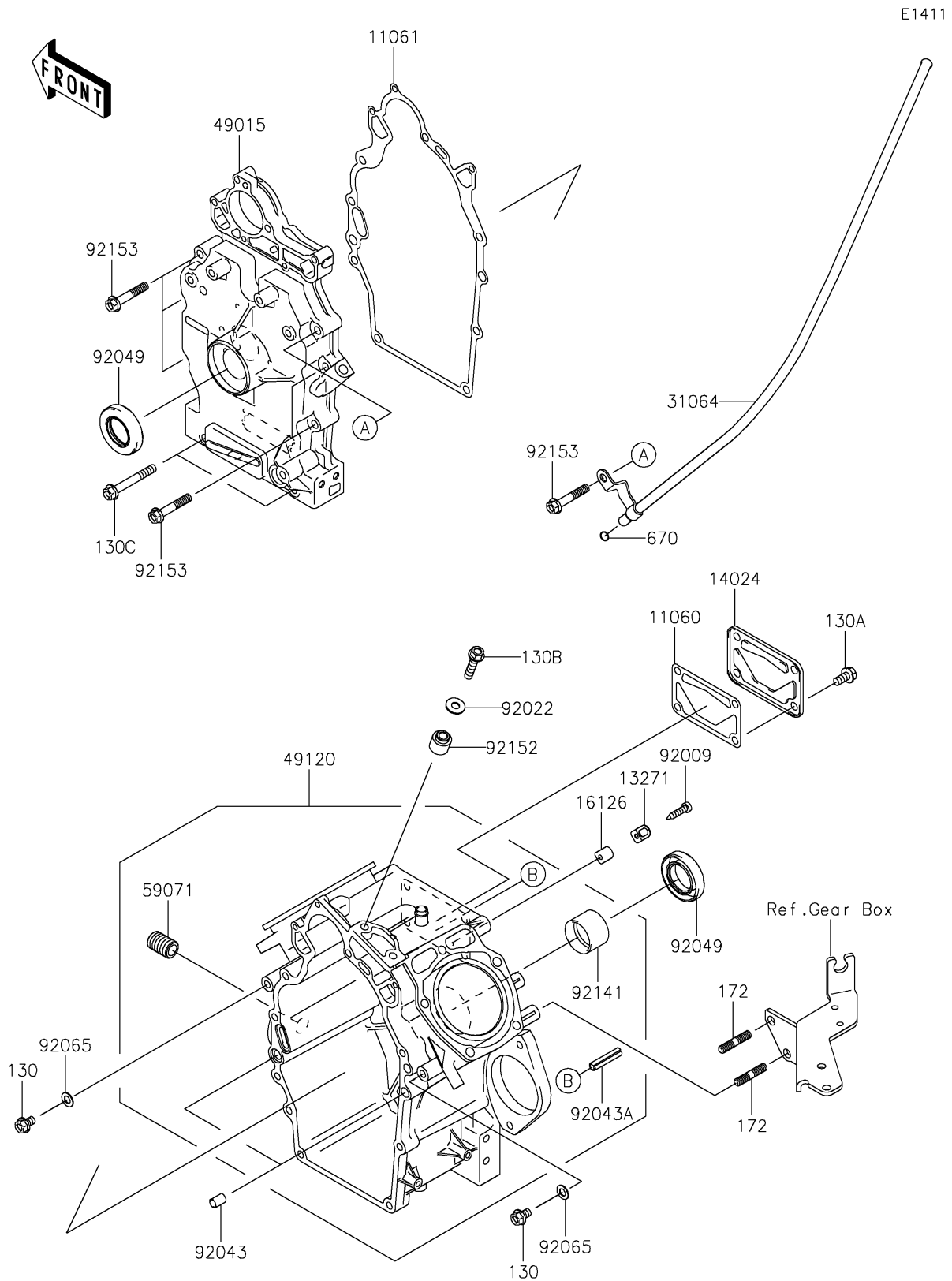


2026 MULE 4000 TRANS™

PARTS DIAGRAM

Crankcase



2026 MULE 4000 TRANS™

PARTS LIST

Crankcase

ITEM NAME

PART NUMBER

QUANTITY
