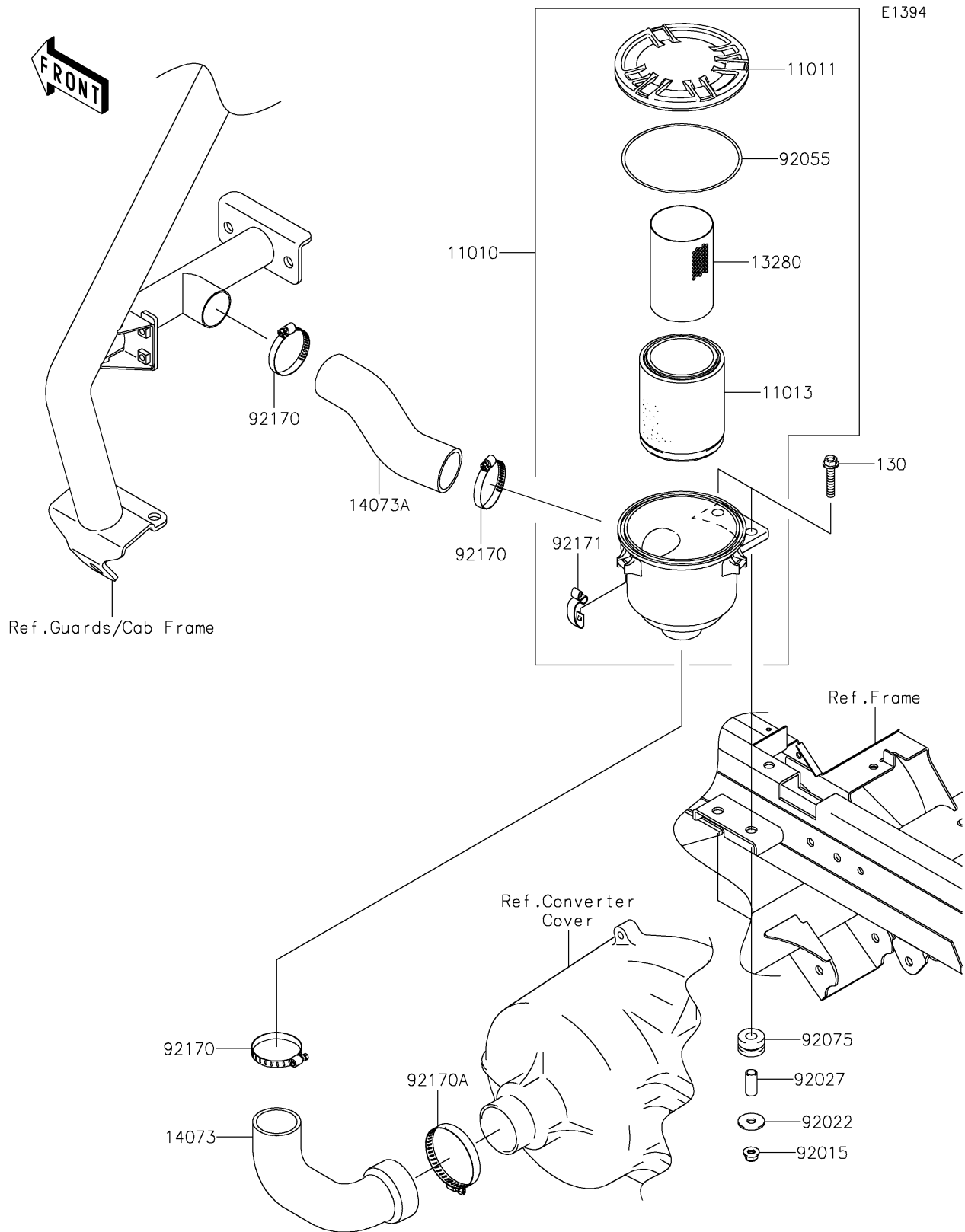


# 2026 MULE 4000 TRANS™

## PARTS DIAGRAM

### Air Cleaner-Belt Converter



# 2026 MULE 4000 TRANS™

## PARTS LIST

### Air Cleaner-Belt Converter

ITEM NAME	PART NUMBER	QUANTITY
-----------	-------------	----------

---