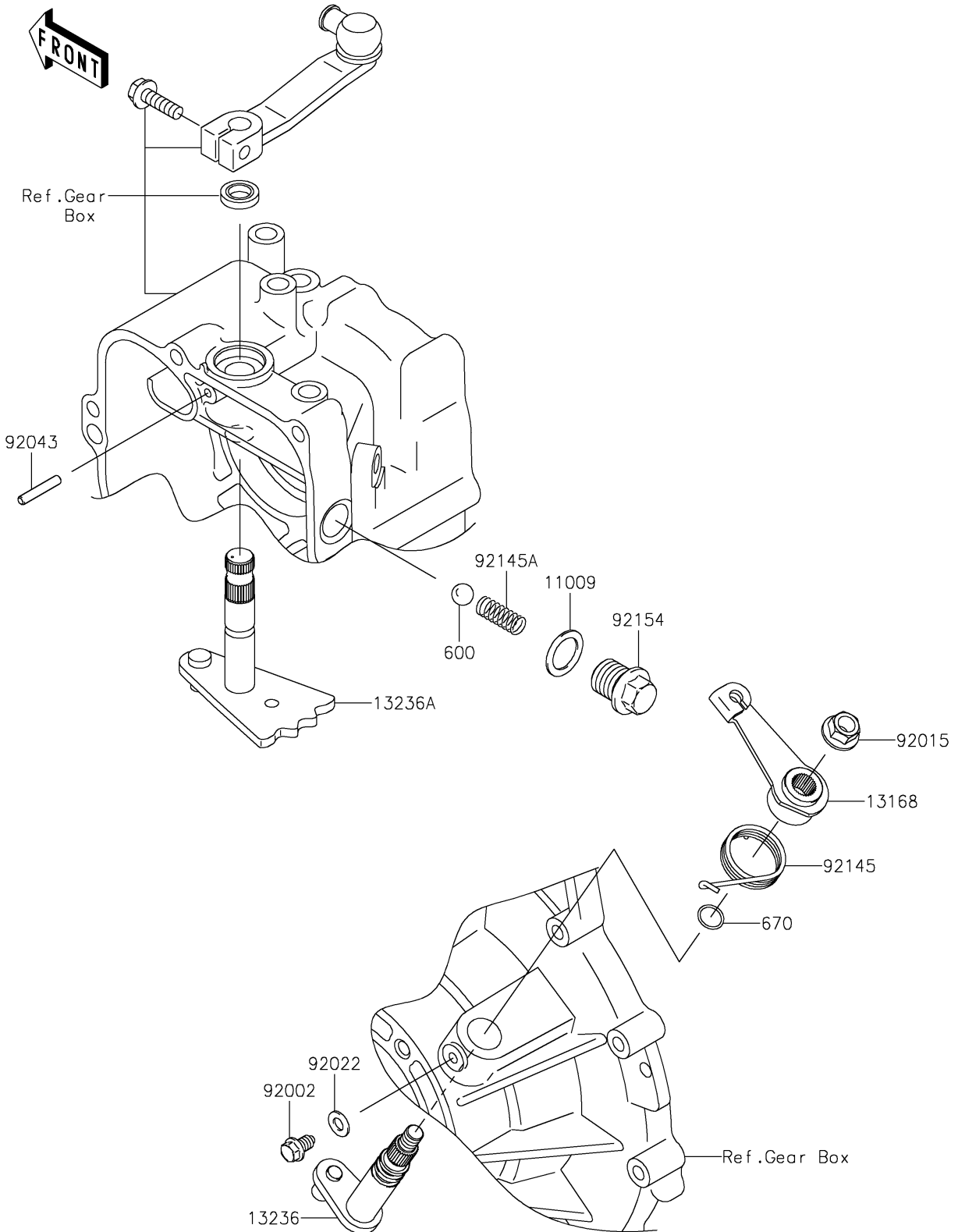


# 2025 MULE 4000 TRANS™

## PARTS DIAGRAM

### Gear Change Mechanism

E1370



# 2025 MULE 4000 TRANS™

## PARTS LIST

### Gear Change Mechanism

| ITEM NAME                                  | PART NUMBER | QUANTITY |
|--|-------------|----------|
| GASKET,15.5X22X1 (Ref # 11009)             | 11009-1008  | 1        |
| LEVER,DIFF LOCK (Ref # 13168)              | 13168-1523  | 1        |
| LEVER-COMP,DIFF LOCK (Ref # 13236)         | 13236-1219  | 1        |
| LEVER-COMP,FR/RR (Ref # 13236A)            | 13236-1366  | 1        |
| BOLT,FLANGED-SMALL,6X8.1X2.5 (Ref # 92002) | 92002-1962  | 1        |
| NUT,FLANGED,8MM (Ref # 92015)              | 92015-1406  | 1        |
| WASHER,6.1X12X1 (Ref # 92022)              | 92022-077   | 1        |
| PIN (Ref # 92043)                          | 92043-1415  | 1        |
| SPRING (Ref # 92145)                       | 92145-0253  | 1        |
| SPRING (Ref # 92145A)                      | 92145-0949  | 1        |
| BOLT,NEUTRAL POSITION (Ref # 92154)        | 92154-1139  | 1        |
| BALL-STEEL,13/32 (Ref # 600)               | 600A1300    | 1        |
| O RING,10MM (Ref # 670)                    | 670B2010    | 1        |