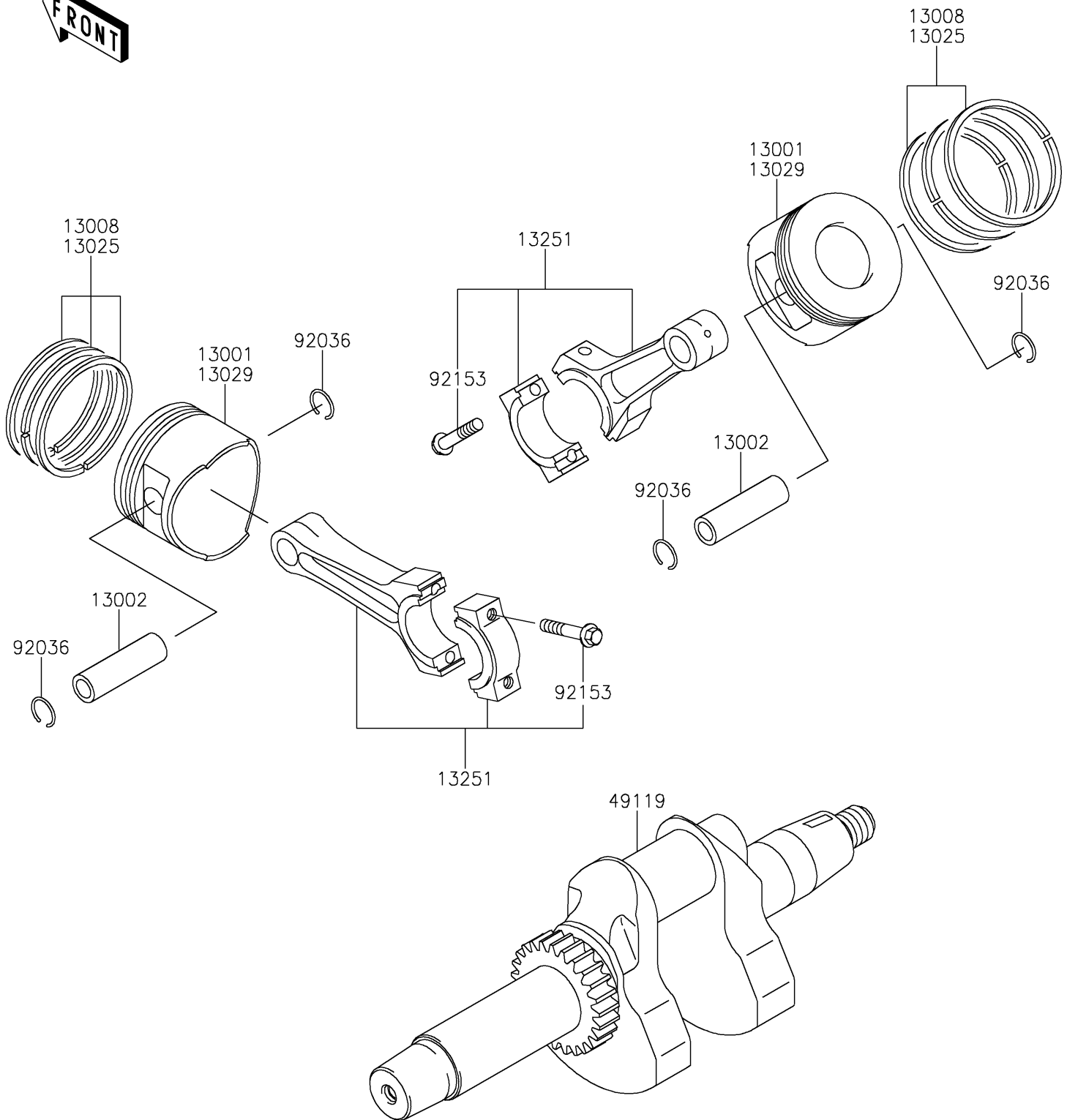


# 2026 MULE 4000 TRANS™

## PARTS DIAGRAM Crankshaft/Piston(s)

E1320



# 2026 MULE 4000 TRANS™

## PARTS LIST

### Crankshaft/Piston(s)

**ITEM NAME**

**PART NUMBER**

**QUANTITY**

---