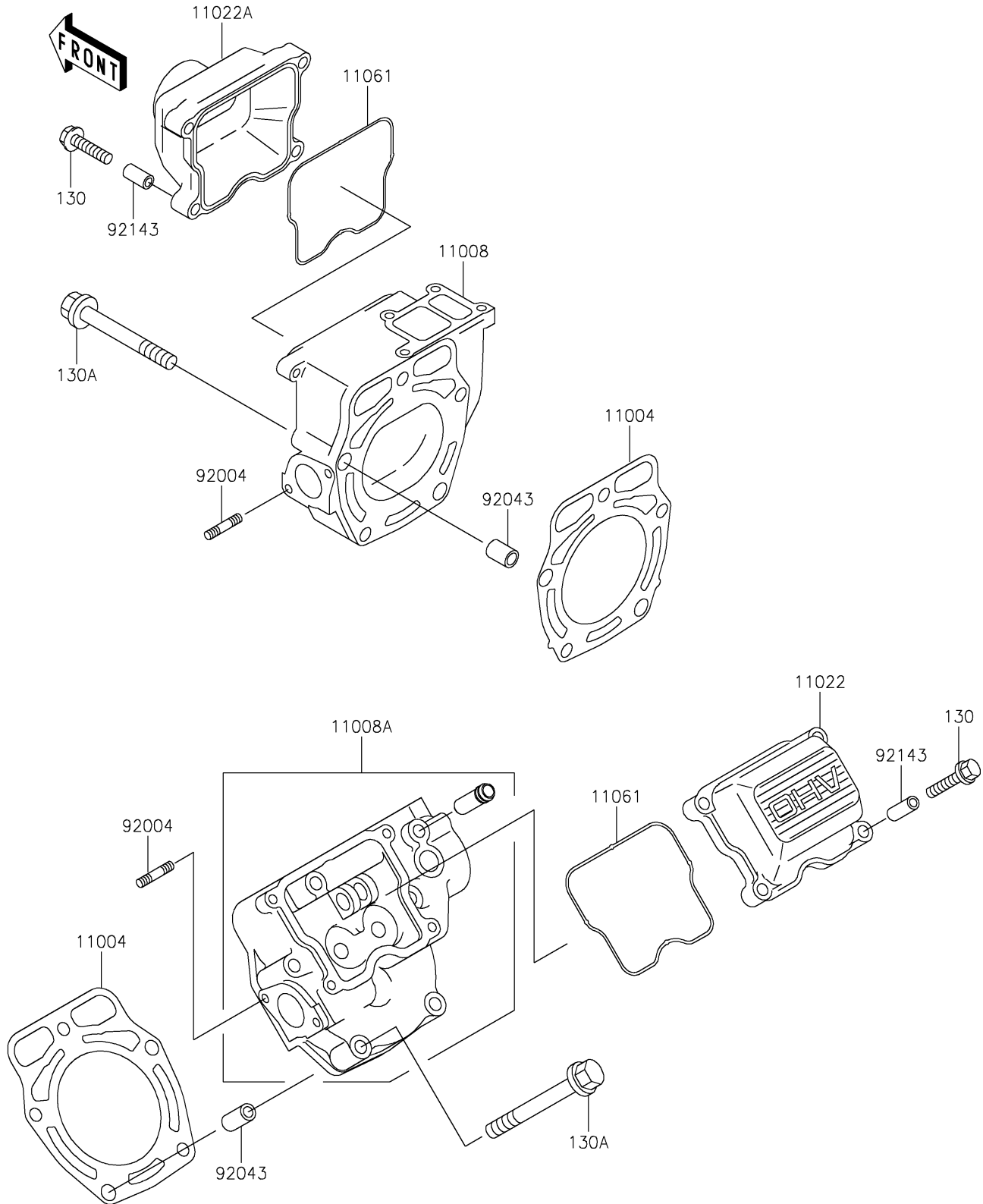


2026 MULE 4000 TRANS™

PARTS DIAGRAM

Cylinder Head

E1111



2026 MULE 4000 TRANS™

PARTS LIST

Cylinder Head

ITEM NAME	PART NUMBER	QUANTITY
-----------	-------------	----------
