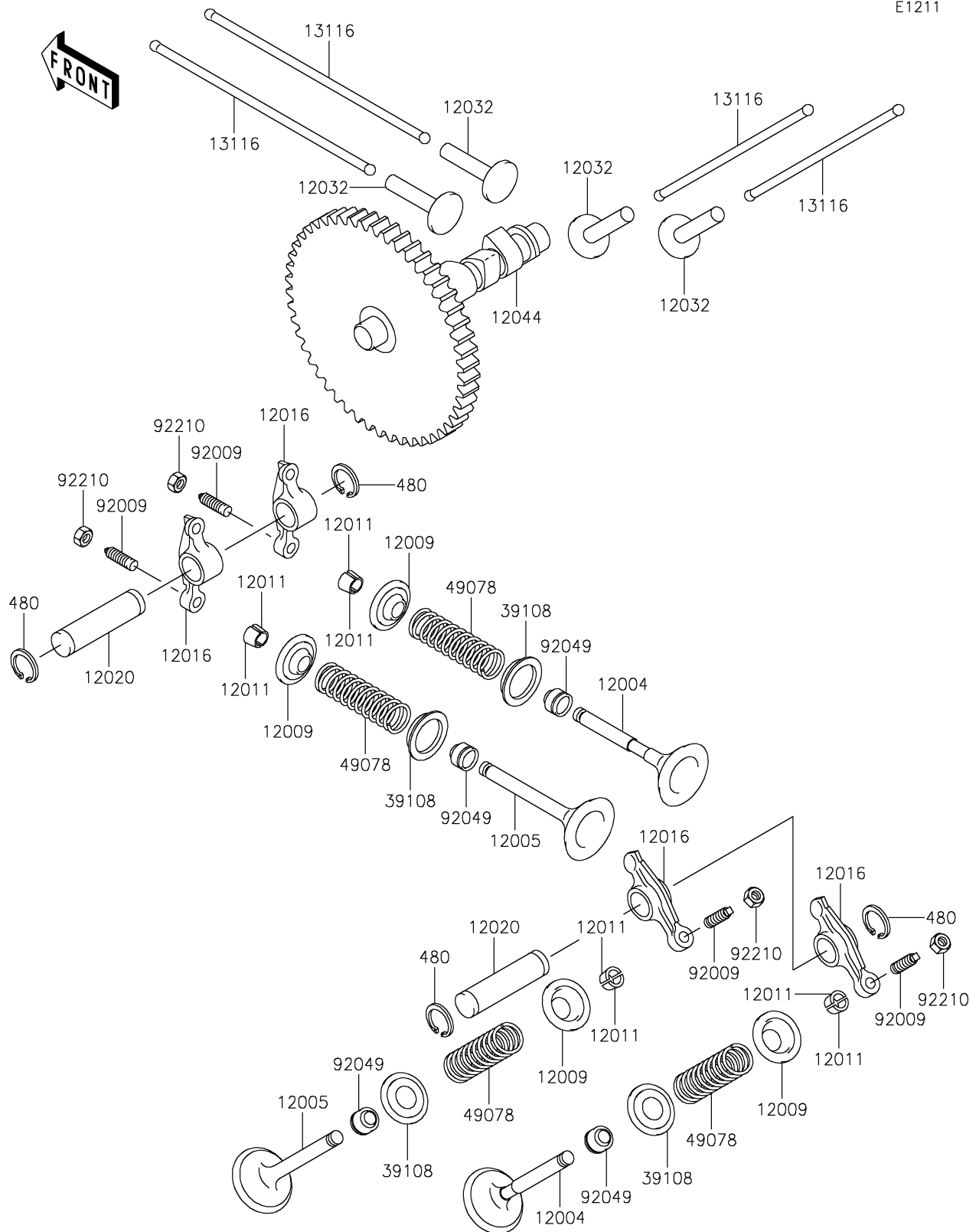


2026 MULE™ 4000

PARTS DIAGRAM

Valve(s)/Camshaft(s)

E1211



2026 MULE™ 4000

PARTS LIST

Valve(s)/Camshaft(s)

| ITEM NAME | PART NUMBER | QUANTITY |
|-------------------------------------|-------------|----------|
| VALVE-INTAKE (Ref # 12004) | 12004-2115 | 2 |
| VALVE-EXHAUST (Ref # 12005) | 12005-2093 | 2 |
| RETAINER-VALVE SPRING (Ref # 12009) | 12009-2067 | 4 |
| COLLET (Ref # 12011) | 12011-2056 | 8 |
| ARM-ROCKER (Ref # 12016) | 12016-2056 | 4 |
| SHAFT-ROCKER (Ref # 12020) | 12020-2059 | 2 |
| TAPPET (Ref # 12032) | 12032-2064 | 4 |
| CAMSHAFT-VALVE (Ref # 12044) | 12044-0956 | 1 |
| ROD-PUSH (Ref # 13116) | 13116-2057 | 4 |
| RETAINER-SPRING (Ref # 39108) | 39108-2057 | 4 |
| SPRING-ENGINE VALVE (Ref # 49078) | 49078-2082 | 4 |
| SCREW,VALVE ADJUST (Ref # 92009) | 92009-1109 | 4 |
| SEAL-OIL (Ref # 92049) | 92049-2109 | 4 |
| NUT,VALVE ADJUST LOCK (Ref # 92210) | 92210-1491 | 4 |
| CIRCLIP-TYPE-C,12MM (Ref # 480) | 480J1200 | 4 |