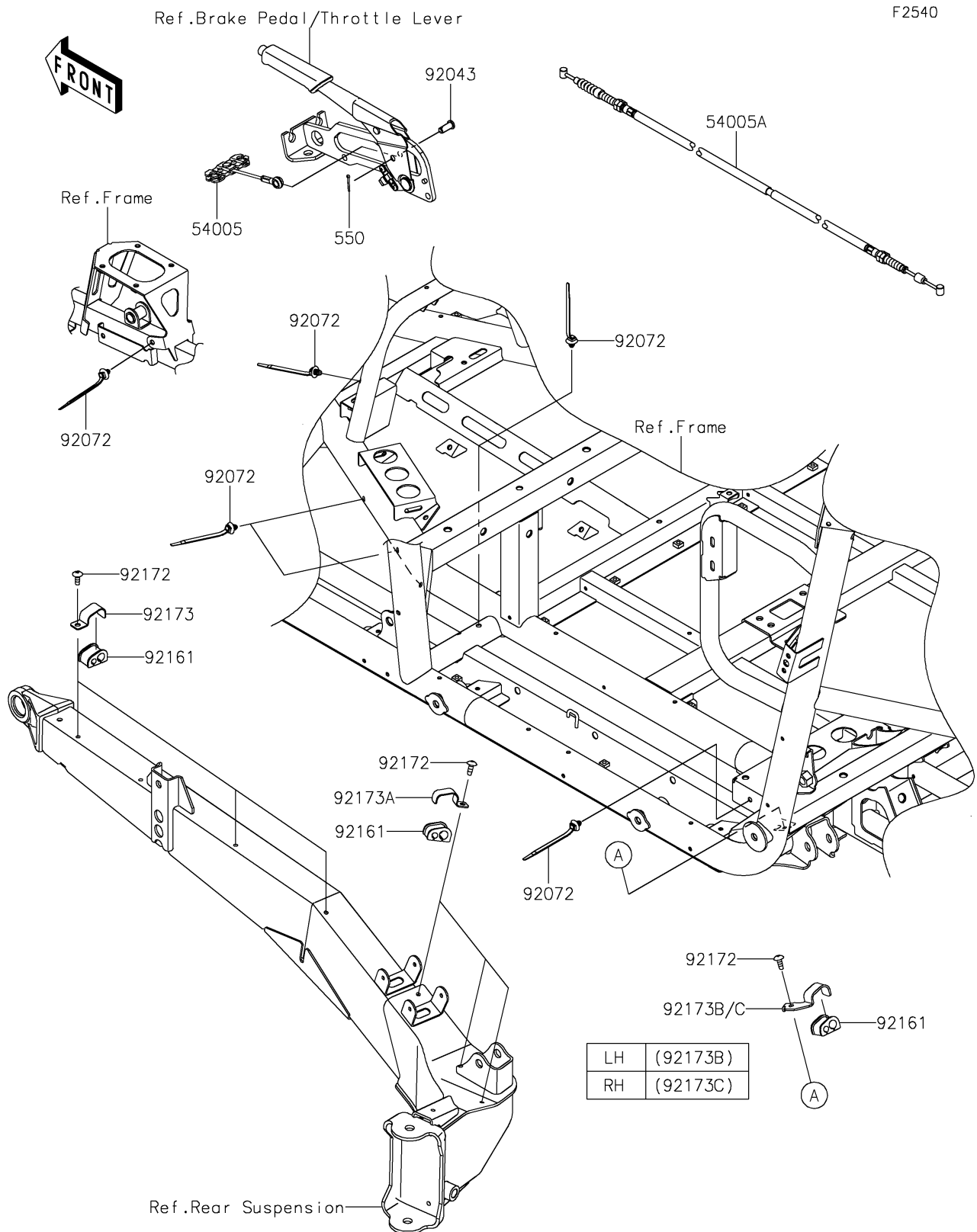


2025 Teryx KRX4 1000 eS

PARTS DIAGRAM

Cables



| | |
|----|----------|
| LH | (92173B) |
| RH | (92173C) |

2025 Teryx KRX4 1000 eS

PARTS LIST

Cables

ITEM NAME

PART NUMBER

QUANTITY
