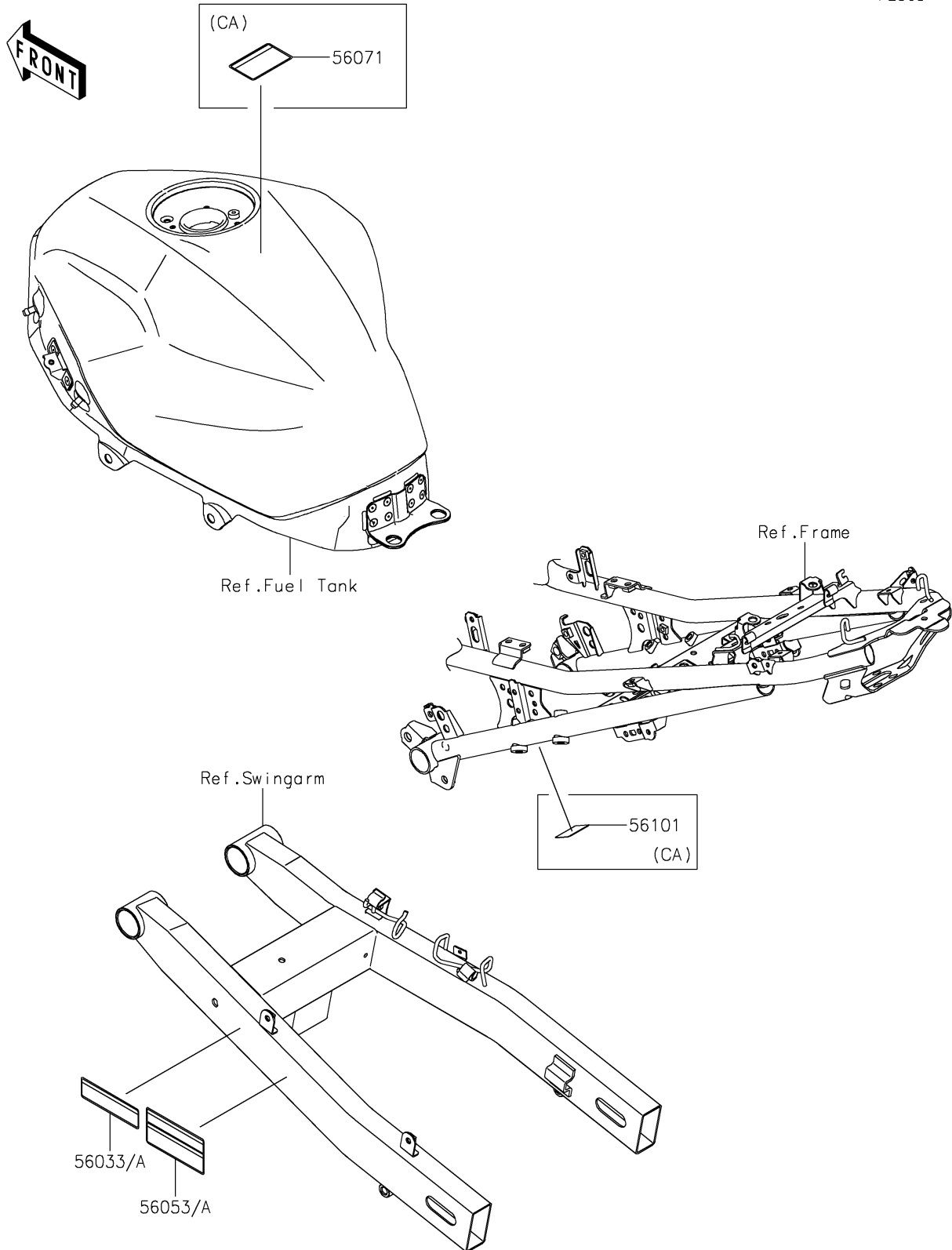


2024 NINJA® 500 SE ABS

PARTS DIAGRAM

Labels

F2860



2024 NINJA[®] 500 SE ABS



PARTS LIST

Labels

| ITEM NAME | PART NUMBER | QUANTITY |
|-----------|-------------|----------|
|-----------|-------------|----------|
