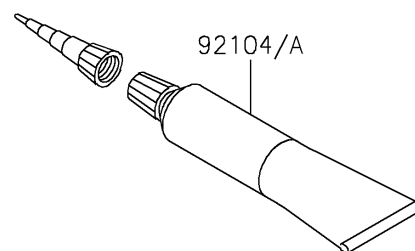
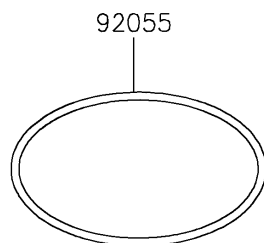
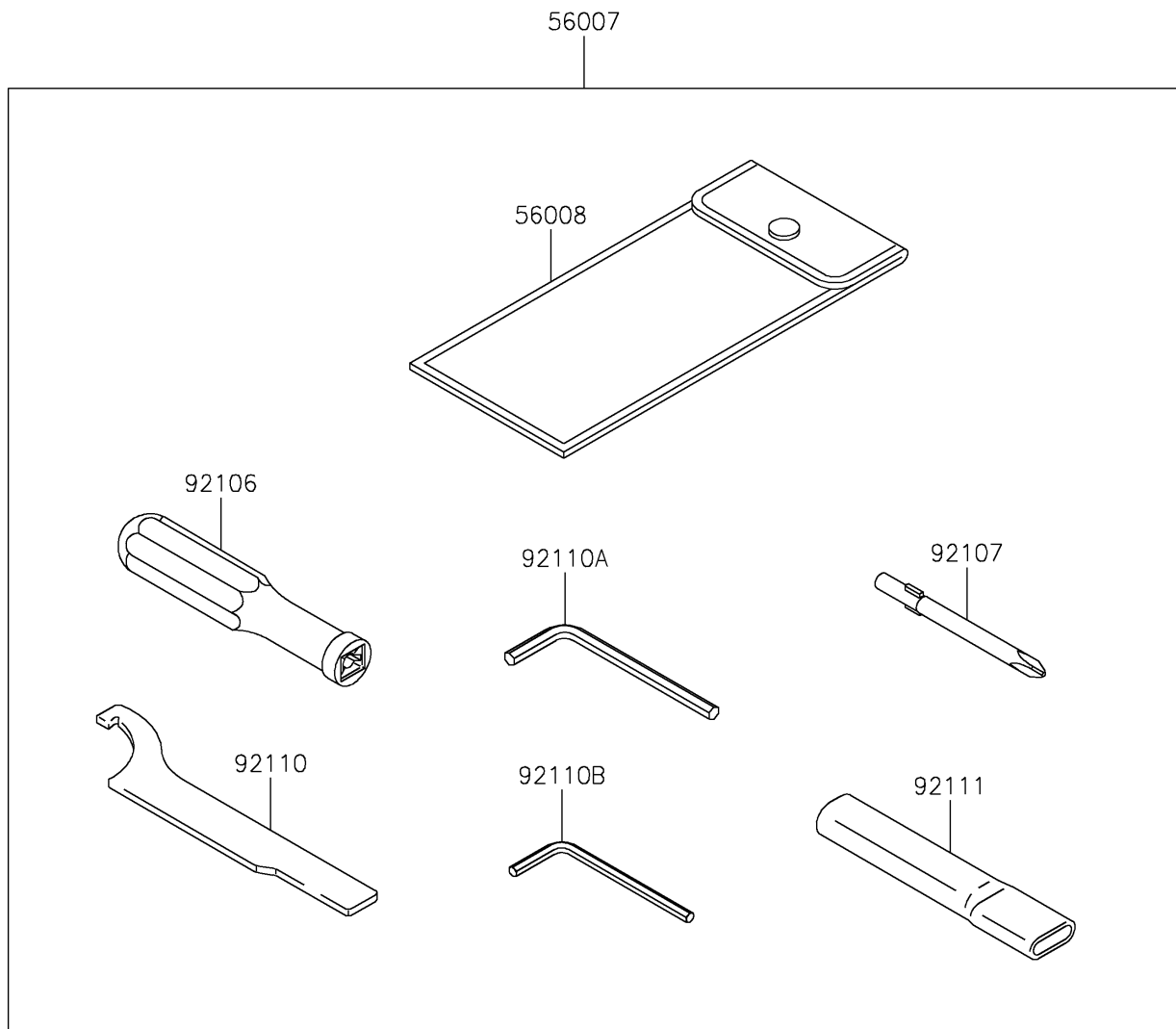


PARTS DIAGRAM

Owner's Tools

F2810



2024 NINJA® 500 SE 40th ANNIVERSARY EDITION ABS



PARTS LIST Owner's Tools

ITEM NAME	PART NUMBER	QUANTITY
-----------	-------------	----------
