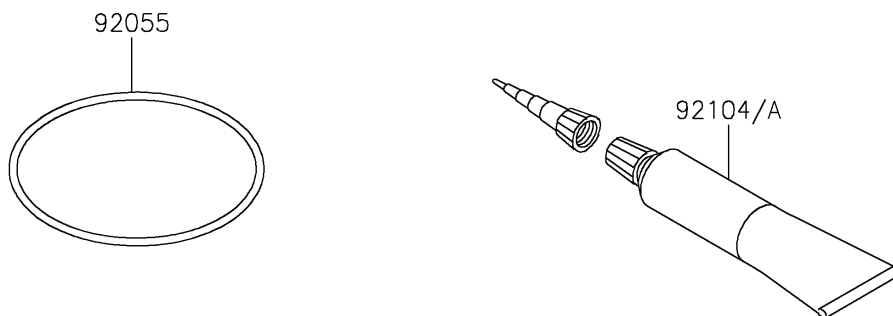
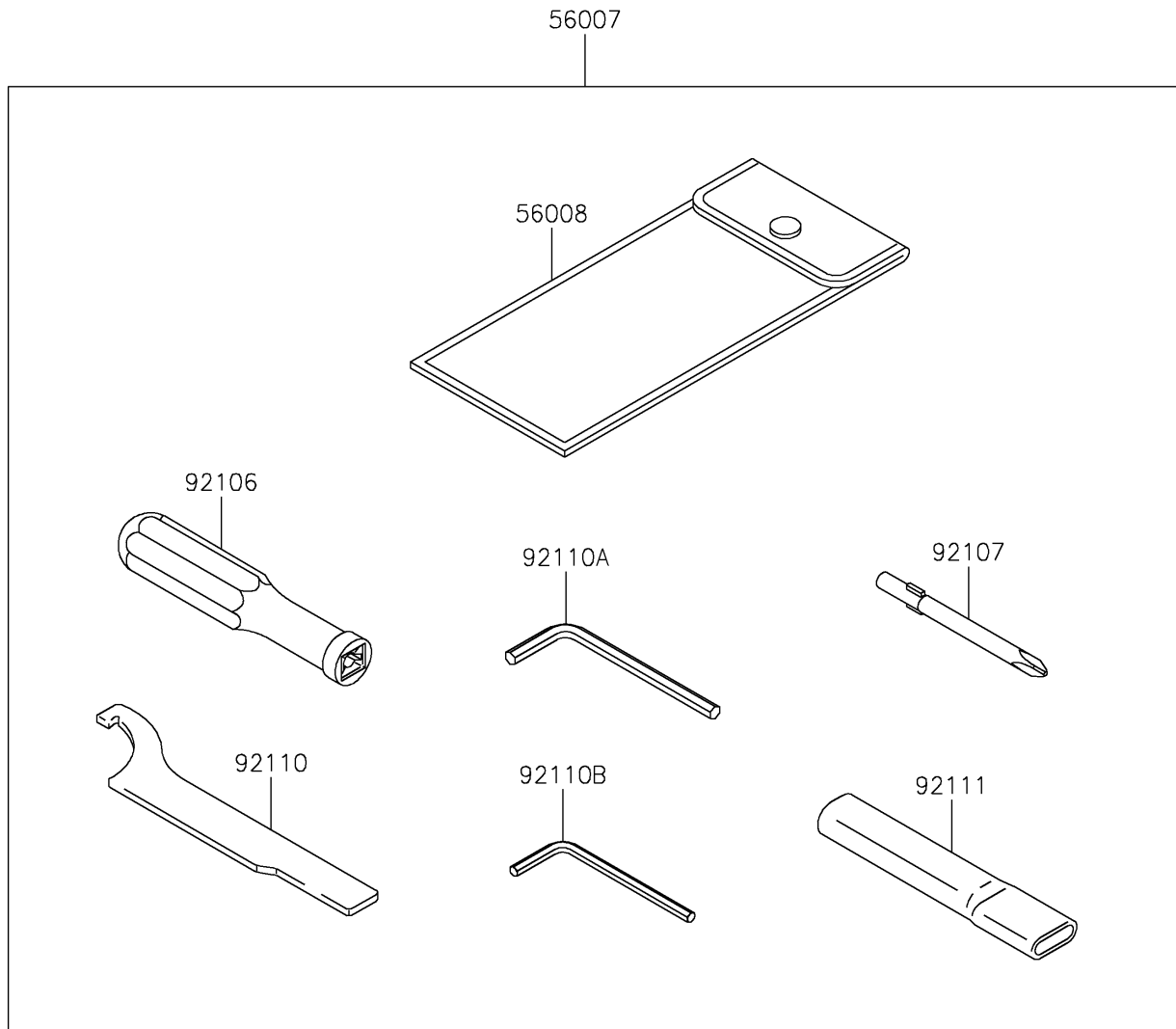


2024 NINJA® 500 KRT EDITION SE ABS

PARTS DIAGRAM

Owner's Tools

F2810



2024 NINJA® 500 KRT EDITION SE ABS



PARTS LIST

Owner's Tools

ITEM NAME	PART NUMBER	QUANTITY
-----------	-------------	----------
