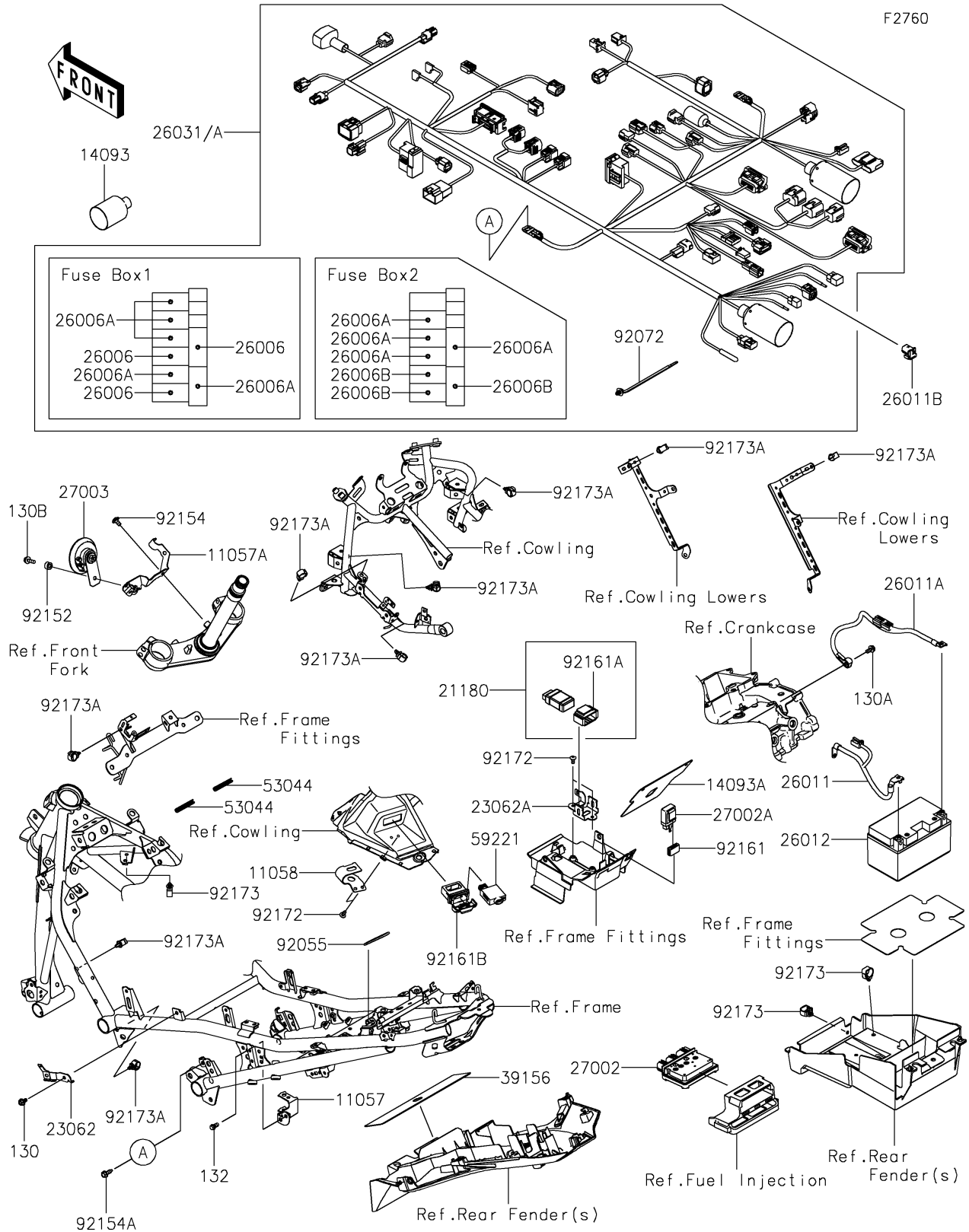


2024 NINJA® 500 KRT EDITION SE ABS

PARTS DIAGRAM

Chassis Electrical Equipment



2024 NINJA® 500 KRT EDITION SE ABS



PARTS LIST

Chassis Electrical Equipment

ITEM NAME	PART NUMBER	QUANTITY
-----------	-------------	----------
