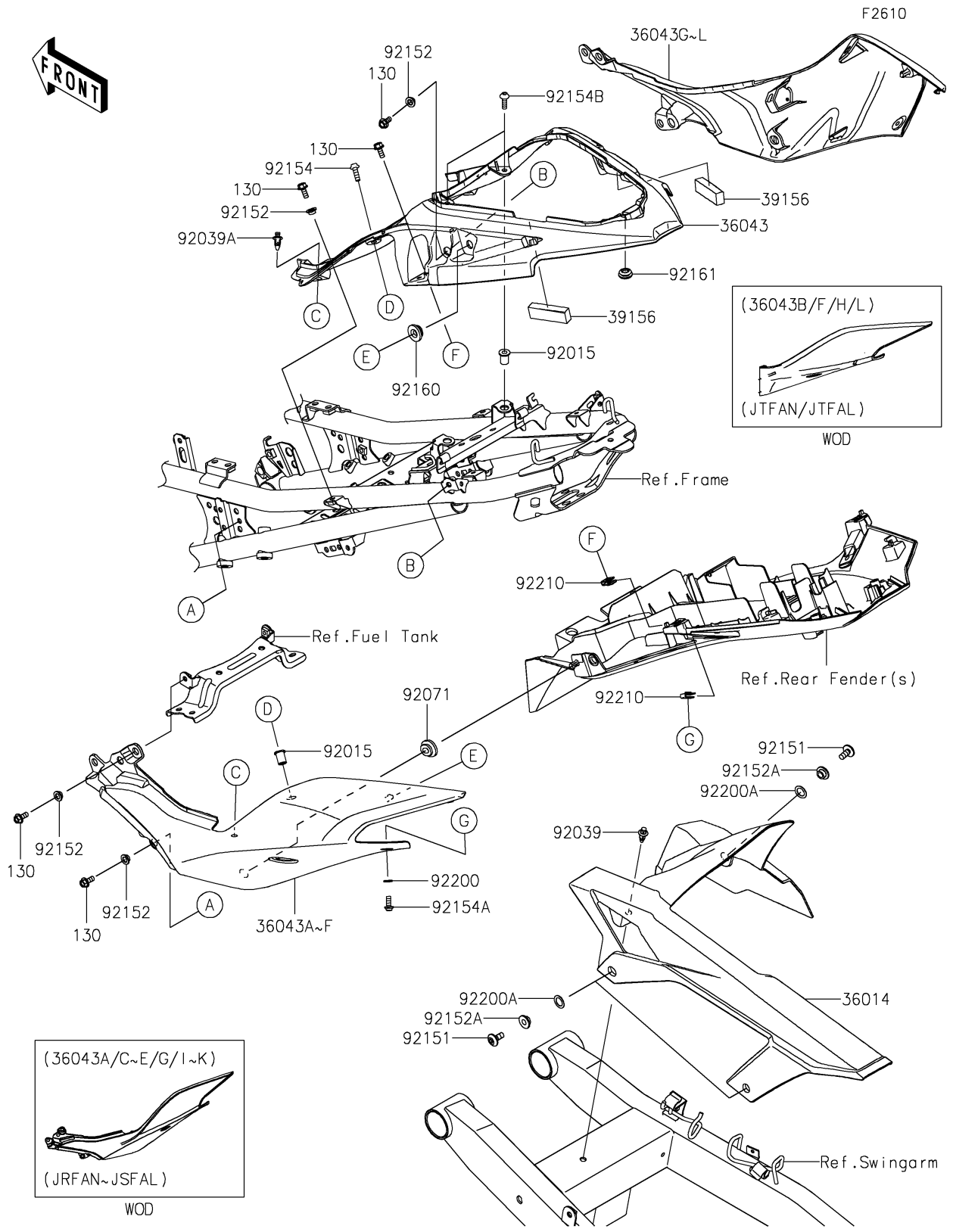


PARTS DIAGRAM

Side Covers/Chain Cover



2024 NINJA® 500 SE 40th ANNIVERSARY EDITION ABS



PARTS LIST

Side Covers/Chain Cover

ITEM NAME	PART NUMBER	QUANTITY
-----------	-------------	----------
