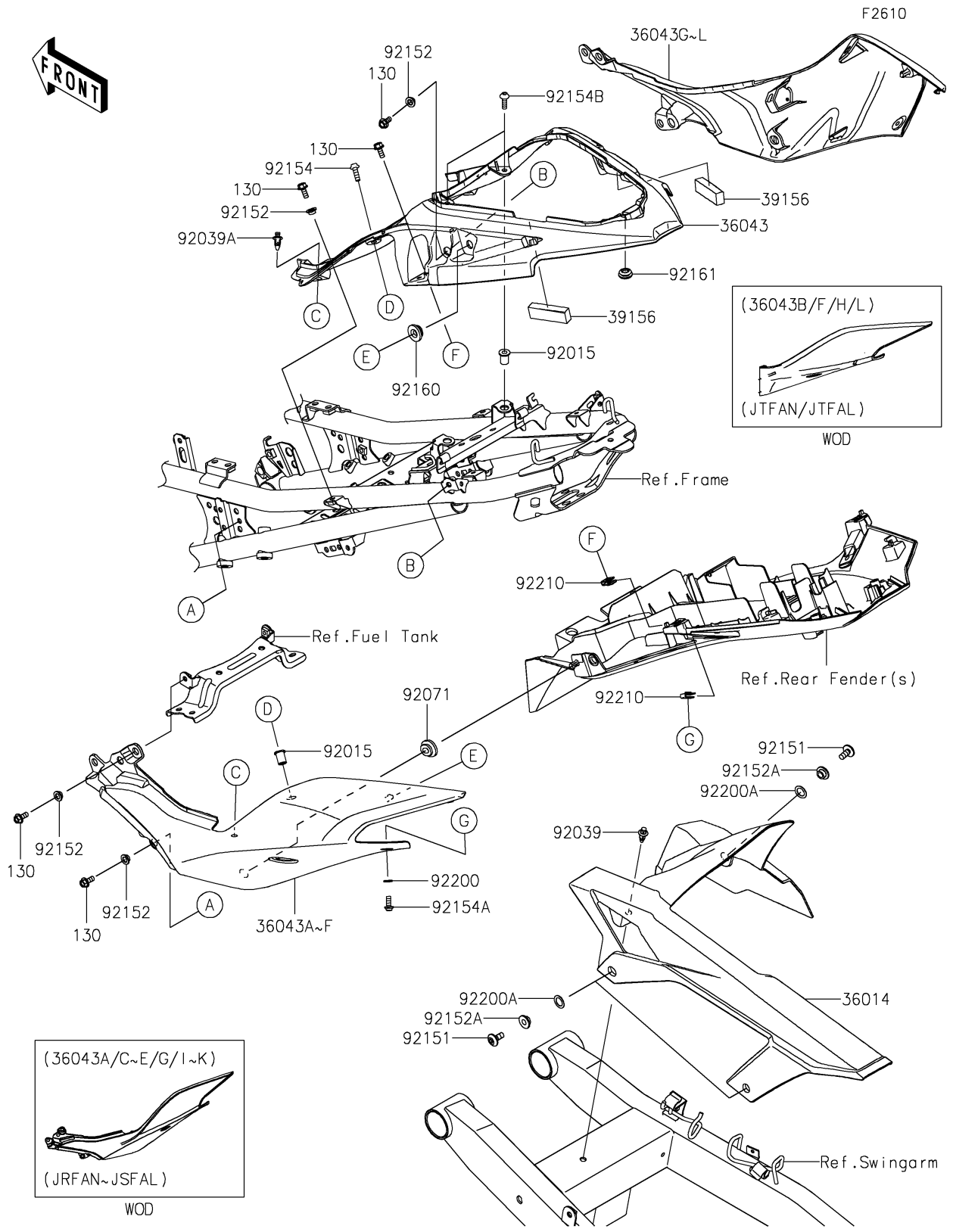


2024 NINJA® 500 SE ABS

PARTS DIAGRAM

Side Covers/Chain Cover



2024 NINJA[®] 500 SE ABS

PARTS LIST

Side Covers/Chain Cover

| ITEM NAME | PART NUMBER | QUANTITY |
|-----------|-------------|----------|
|-----------|-------------|----------|
