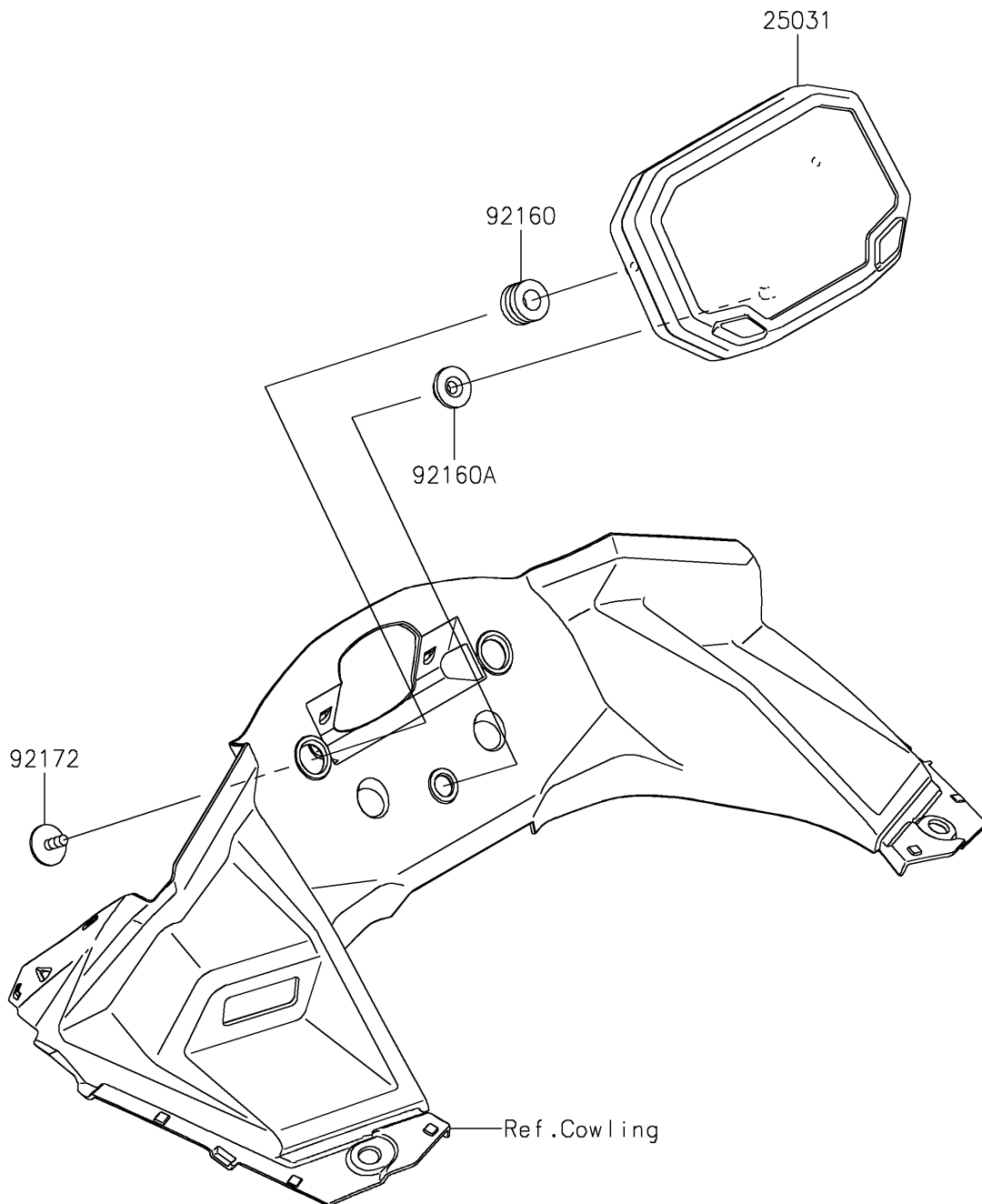


2024 NINJA® 500 SE 40th ANNIVERSARY EDITION ABS

PARTS DIAGRAM

Meter(s)

F2530



2024 NINJA® 500 SE 40th ANNIVERSARY EDITION ABS



PARTS LIST

Meter(s)

ITEM NAME	PART NUMBER	QUANTITY
-----------	-------------	----------
