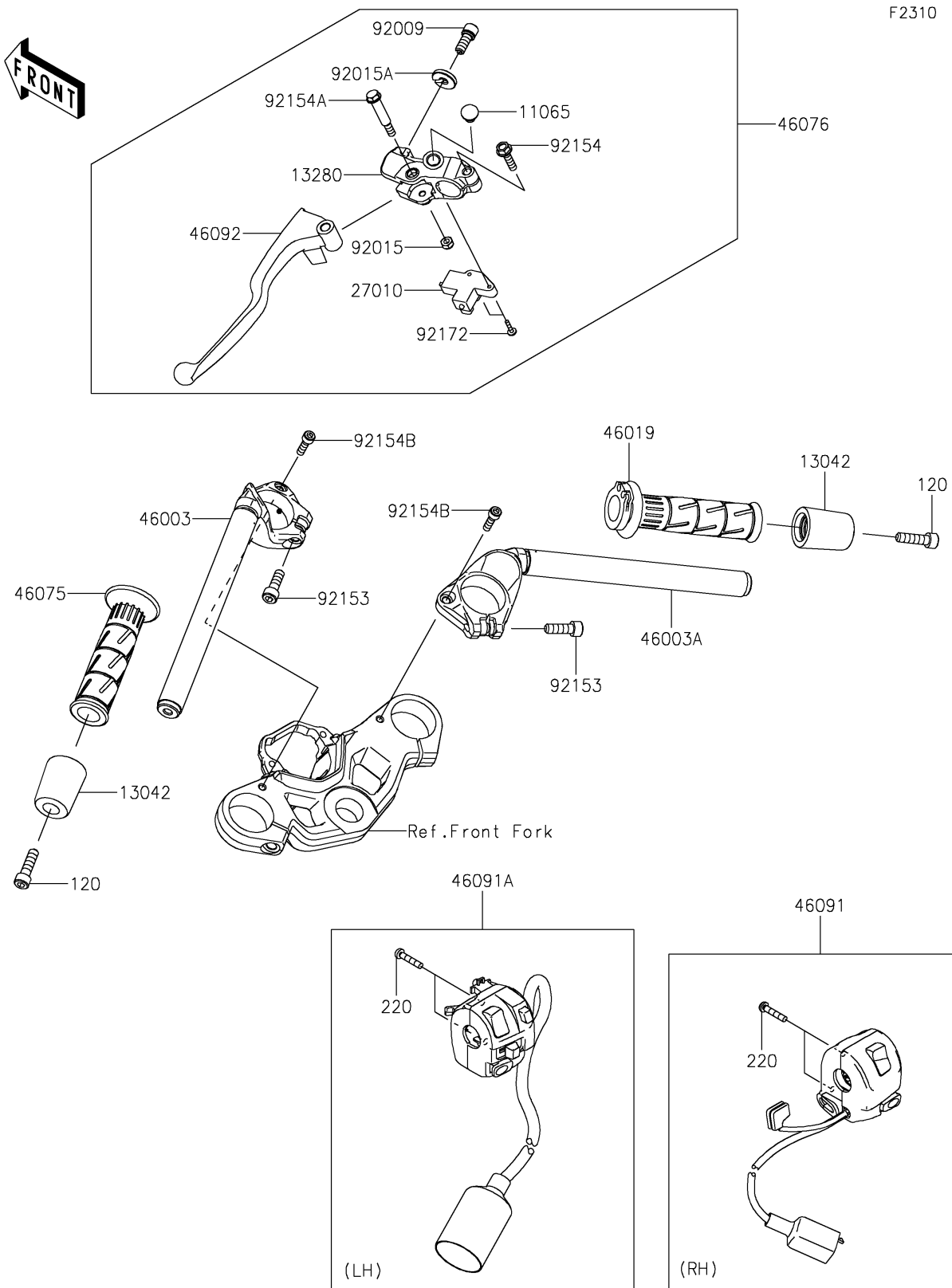


2024 NINJA® 500 SE ABS

PARTS DIAGRAM

Handlebar



2024 NINJA[®] 500 SE ABS

PARTS LIST

Handlebar

| ITEM NAME | PART NUMBER | QUANTITY |
|-----------|-------------|----------|
|-----------|-------------|----------|
