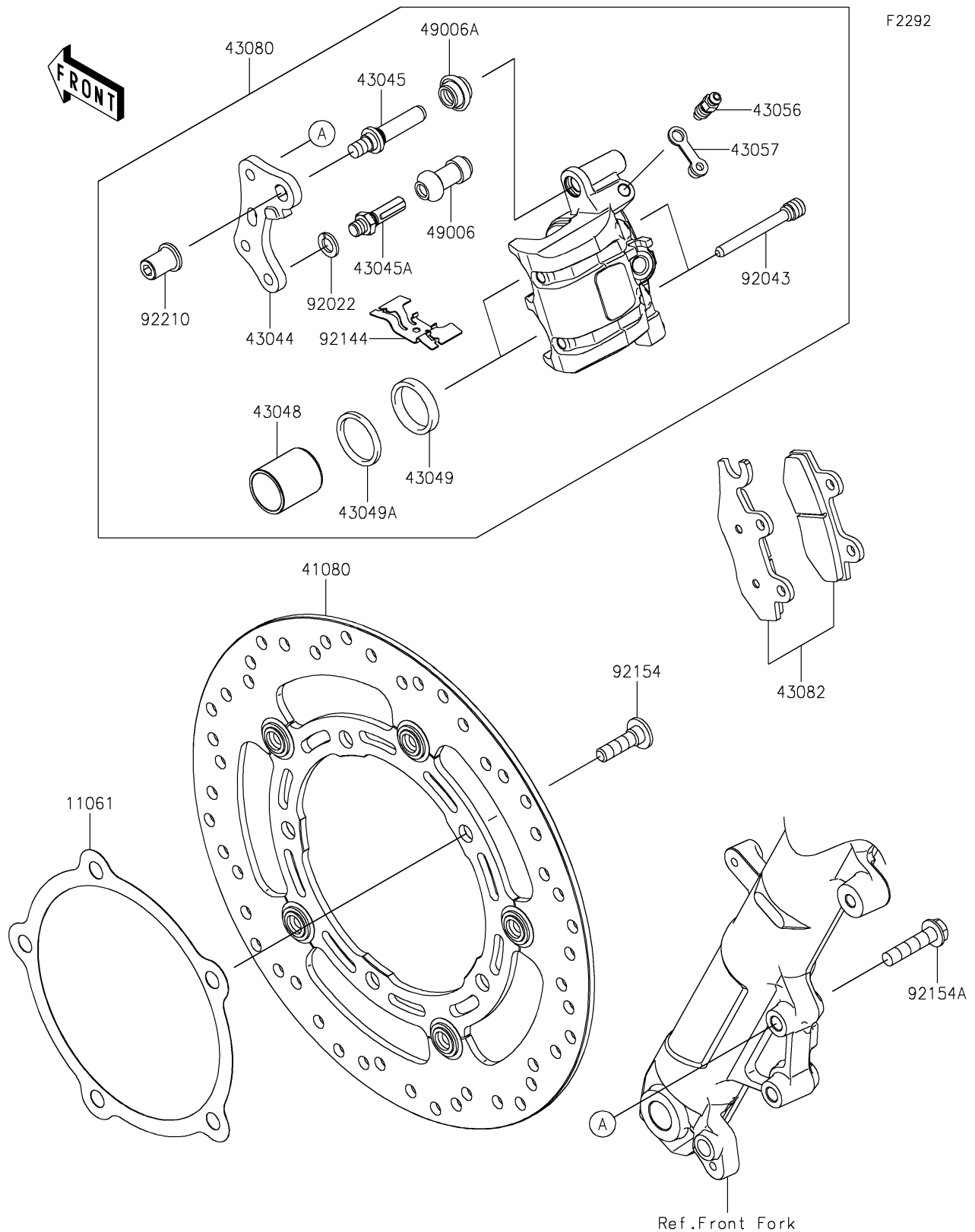


2024 NINJA® 500 SE ABS

PARTS DIAGRAM

Front Brake



2024 NINJA[®] 500 SE ABS

PARTS LIST

Front Brake

ITEM NAME	PART NUMBER	QUANTITY
-----------	-------------	----------
