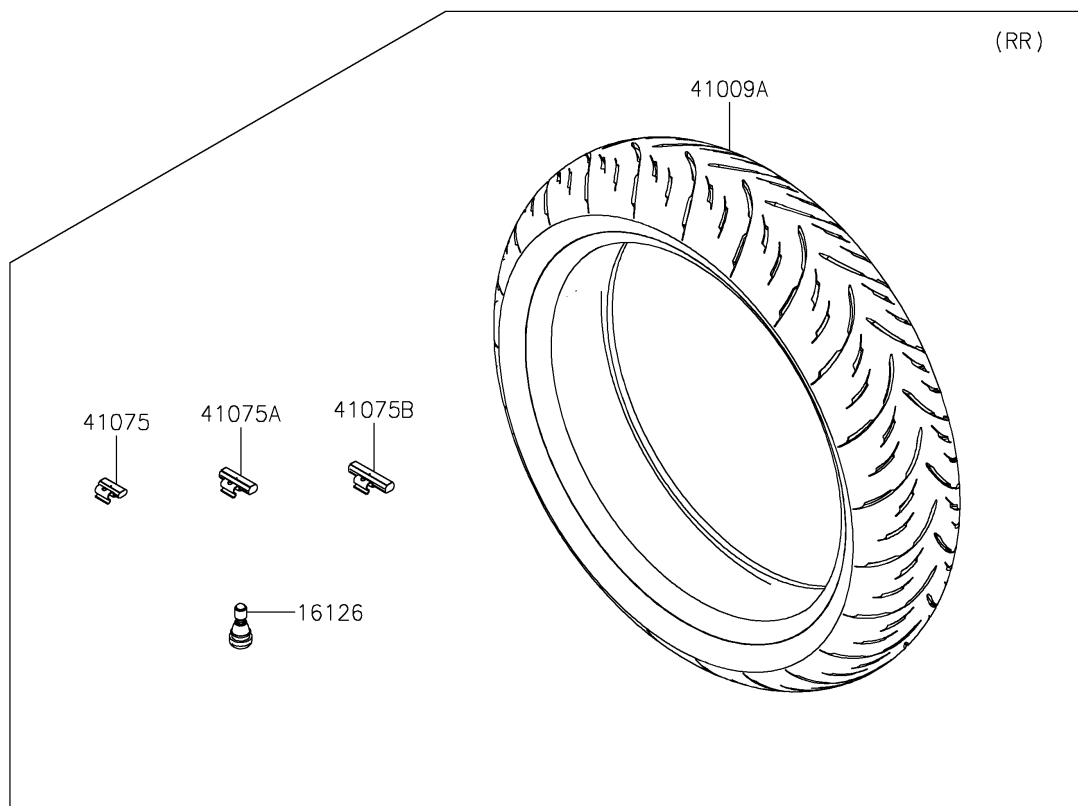
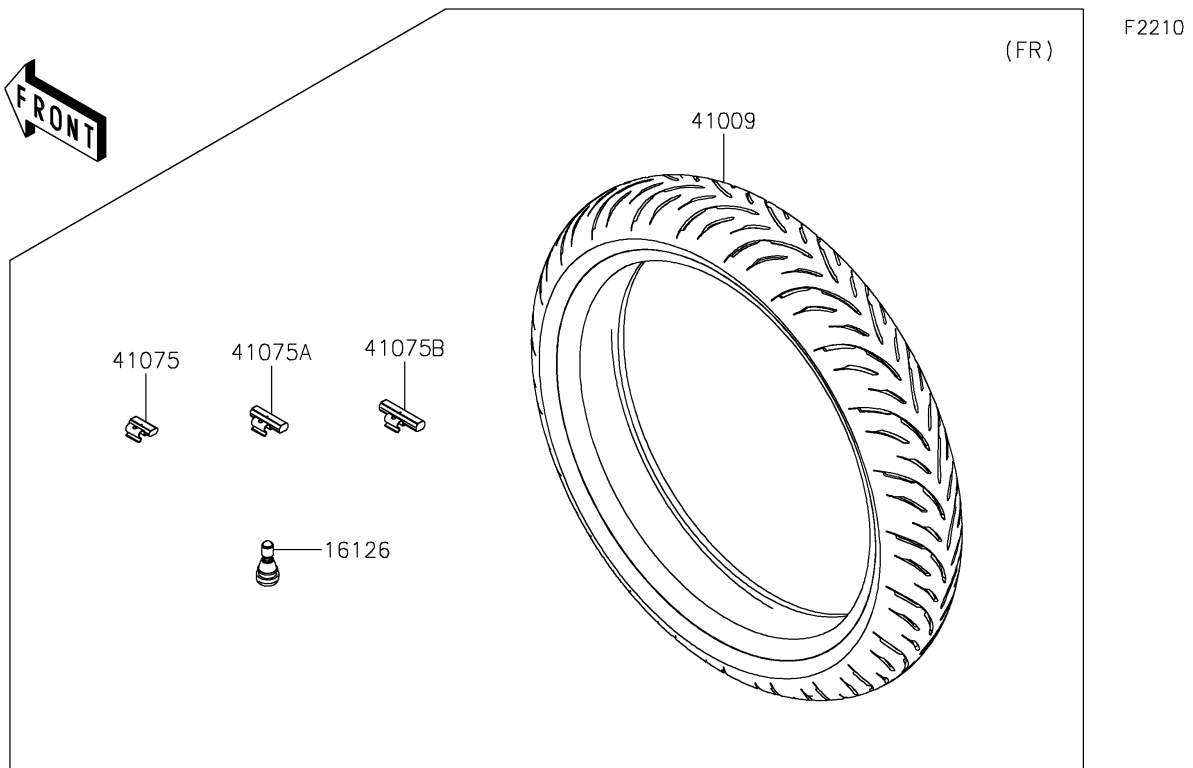


PARTS DIAGRAM

Tires



2024 NINJA® 500 SE 40th ANNIVERSARY EDITION ABS



PARTS LIST

Tires

ITEM NAME	PART NUMBER	QUANTITY
-----------	-------------	----------
